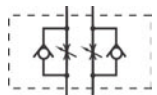
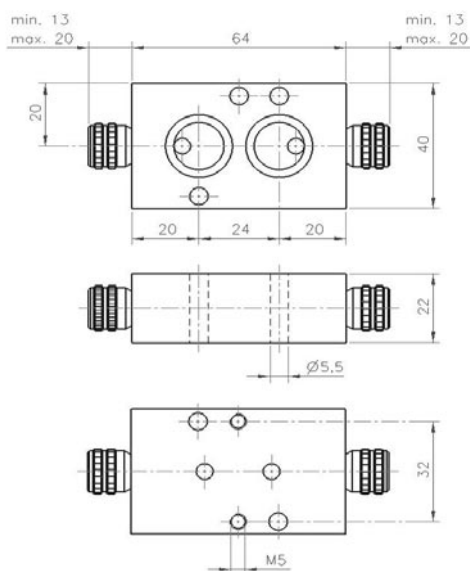




DRN 3601



DRN 5601



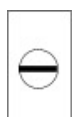
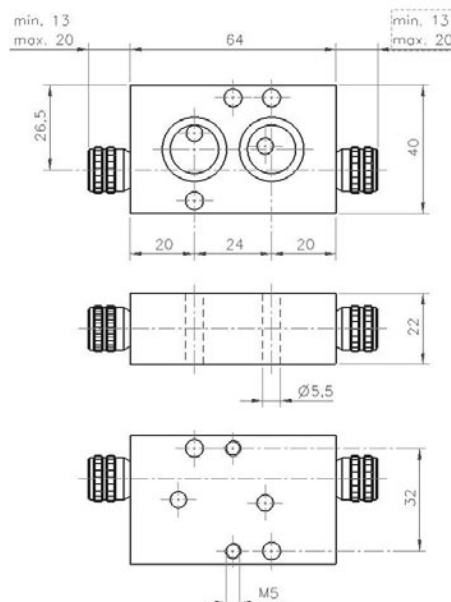
Block form flow regulator as intermediate plate for Namur valves; interface according to Namurstandard.

Type DRN 5 601: for 5/2 and 5/3 way valves Only. To regulate the forward and backward stroke of a double acting pneumatic cylinder (DRN).

For adjustment with screw: please order DRN 5 611

Type DRN 3 601: for 3/2 way valves with exhaustair recirculation only. To regulate the forward stroke of a single acting pneumatic actuator and to regulate the exhaust air going into the springreturn unit.

Maximum orifice size: 5 mm  
Weight: 0,18 kg



DRN 5611  
(with screw)



DRN 3601  
DRN 5601

Type	Port size	Air flow	Airflow in opposite direction	Operating press.	Weight
DRN 3601	Namur	0-650 l/min	650 l/min	0,5 - 10 bar	0,18 kg
DRN 5601	Namur	0-650 l/min	650 l/min	0,5 - 10 bar	0,18 kg
DRN 5611	Namur	0-650 l/min	650 l/min	0,5 - 10 bar	0,18 kg