

DR 501  
DR 801



D 501  
D 801



Block form flow regulator.

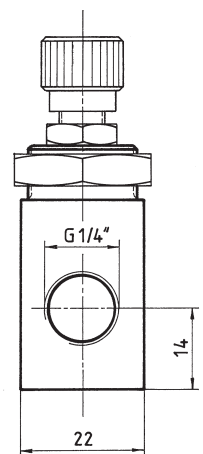
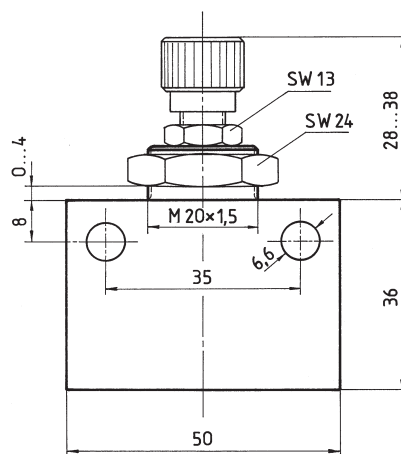
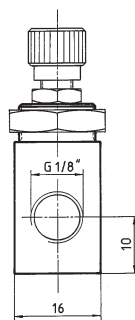
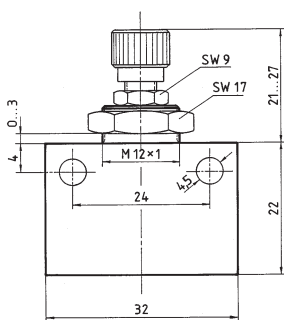
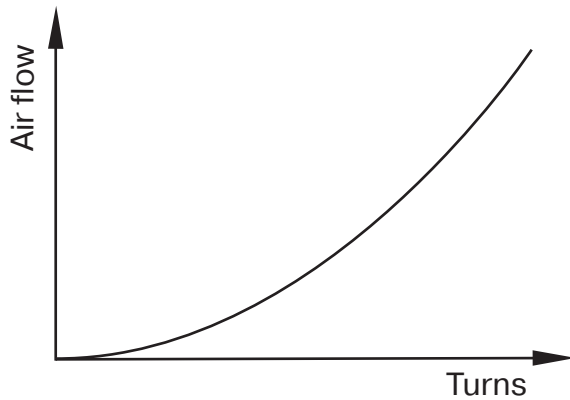
Type DR: uni-directional. Air streaming in the direction of the throttle can be regulated by turning the spindle. In the opposite direction, air streams unthrottled.

Type D: bi-directional. Air is regulated in both directions.

The throttle can be adjusted very precisely along the entire regulation range.

Adjustment can be locked.

Suitable for wall and panel mounting.



Type	Port size	Air flow	Airflow in opposite direction	Operating press.	Weight
D 501	G 1/8"	650 l/min	650 NL/min	0,5 - 10 bar	0,040 kg
D 801	G 1/4"	1450 l/min	1450 NL/min	0,5 - 10 bar	0,132 kg
DR 501	G 1/8"	650 l/min	650 NL/min	0,5 - 10 bar	0,040 kg
DR 801	G 1/4"	1450 l/min	1450 NL/min	0,5 - 10 bar	0,132 kg