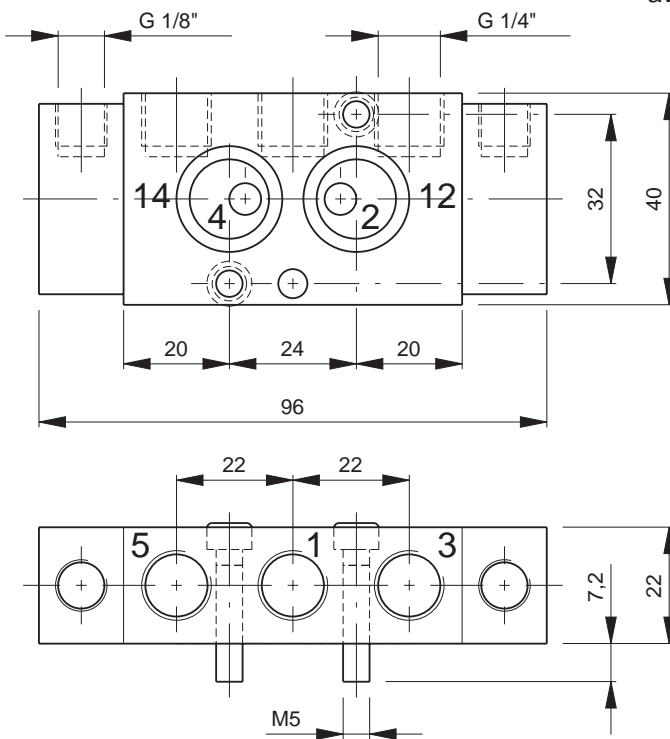


Pneumatically actuated 5/2-way spool valve with actuation by impulse. If pressure is applied to 14, the valve is open from 1 to 4 and 2 to 3, 5 is closed. If pressure is applied to 12, the valve is open from 1 to 2 and 4 to 5. Interface according to Namur standard.

Port sizes: 1, 3 and 5: G 1/4"
12 and 14: G 1/8"

Delivery includes: 1 pin, 2 screws and 2 O-rings.

A 30 mm wide valve with a flow of 1 500 l/min is available on request.



Type	Port size	Air flow	Operating press.	Actuation press.	Weight
PN 520 601	G 1/4" - G 1/8"	800 l/min	1 - 10 bar	2,5 - 10 bar	0,22 kg

2.7.2.2.2.