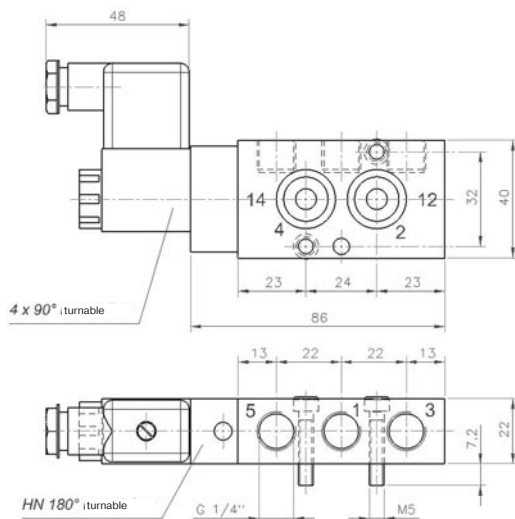
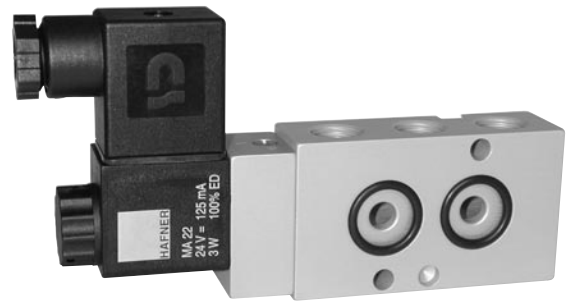


MNH 510 70A



5/2-way solenoid valve, actuated by permanent signal with air spring. Interface according to Namur standard.

Available with actuators:
230V/50Hz, 110V/50Hz, 24V/50Hz, 24V=.

The valves are generally equipped with manual override to turn (standard). If requested without manual override, please order MN 510 70A.

Also available with manual override to push, then please order MND 510 70A.

Obtainable as well with external pilot feed; then please order MENH 510 70A.

Delivery includes: 1 pin, 2 screws, 2 O-rings and connector as shown on the photo.

Special 5/2-way solenoid valve.
Port 4 and 2 switched.
If needed order type MNH 510 71A.

Type	Port size	Air flow	Operating press.	Power consumption	Weight
MNH 510 70A	G 1/4"	1250 l/min	1,5 - 10 bar	3 W = /5 VA ~	0,30 kg
MNH 510 71A	G 1/4"	1250 l/min	1,5 - 10 bar	3 W = /5 VA ~	0,30 kg