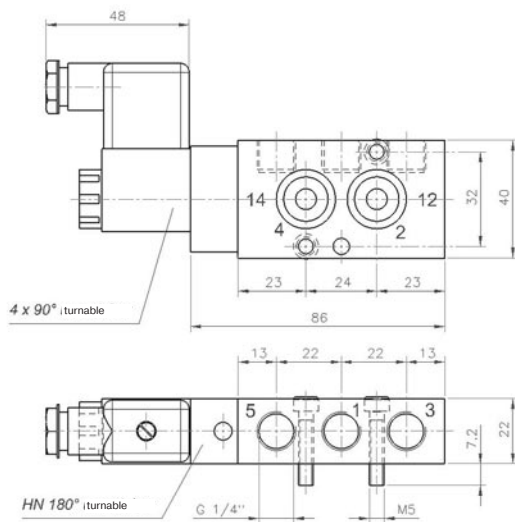


MNH 510 701



5/2-way solenoid valve, actuated by permanent signal with air spring. Interface according to Namur standard.

Available with actuators:
230V/50Hz, 110V/50Hz, 24V/50Hz, 24V=.

The valves are generally equipped with manual override to turn (standard). If requested without manual override, please order MN 510 701.

Also available with manual override to push, then please order MND 510 701.

Obtainable as well with external pilot feed; then please order MENH 510 701.

Delivery includes: 1 pin, 2 screws, 2 O-rings and connector as shown on the photo.

Special 5/2-way solenoid valve.
Port 4 and 2 switched.
If needed order type MNH 510 711.

Type	Port size	Air flow	Operating press.	Power consumption	Weight
MNH 510 701	G 1/4"	1250 l/min	1,5 - 10 bar	3 W = /5 VA ~	0,30 kg
MNH 510 711	G 1/4"	1250 l/min	1,5 - 10 bar	3 W = /5 VA ~	0,30 kg