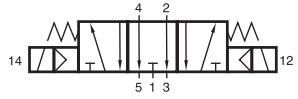
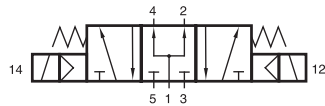


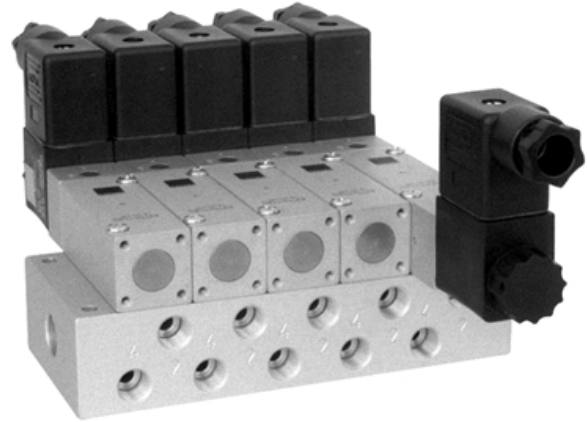
MH 531 304
MH 531 504



MH 532 304
MH 532 504



MH 533 304
MH 533 504



5/3-way solenoid valve with spring return to middle position, actuated by permanent signal. All the ports are in the plate.

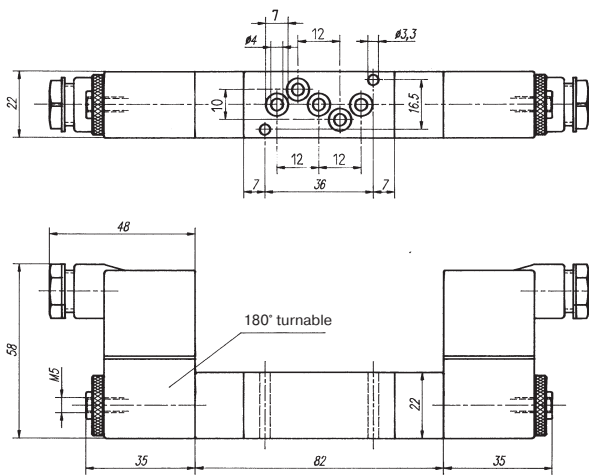
Type 531 normally closed

Type 532 normally exhausted

Type 533 normally pressurized

When ordering, please complete the type number by 1,2 or 3, according to the type in need.

Available with solenoid operators:
230V/50Hz, 110V/50Hz, 24V/50Hz, 24V=.

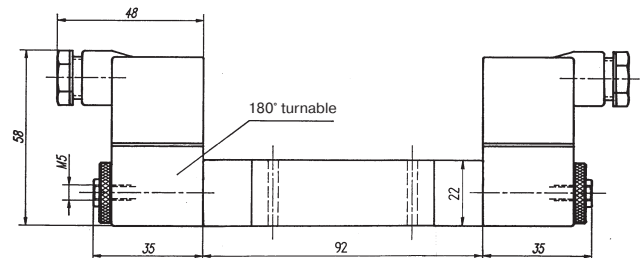
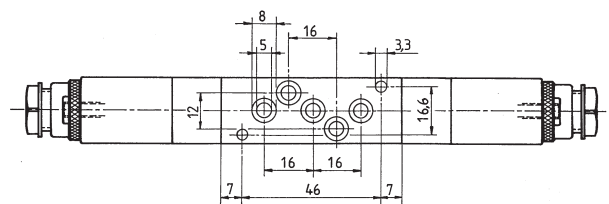


Valves are generally equipped with manual override. If requested without manual override, please order M 53. ...

Manifolds are described on page 2.6.2.5.

Blanking plates are also available, type BP 5 304 or BP 5 504.

Mounting screws, seals and connectors as shown on the photo are included.



Type	Port size	Air flow	Operating press.	Power consumption	Weight
MH 53_ 304	drilling 3 mm	220 l/min	3 - 10 bar	3 W = /5 VA ~	0,24 kg
MH 53_ 504	drilling 5 mm	650 l/min	3 - 10 bar	3 W = /5 VA ~	0,26 kg