

5/3-way solenoid valve with spring return to middle position, actuated by permanent signal.

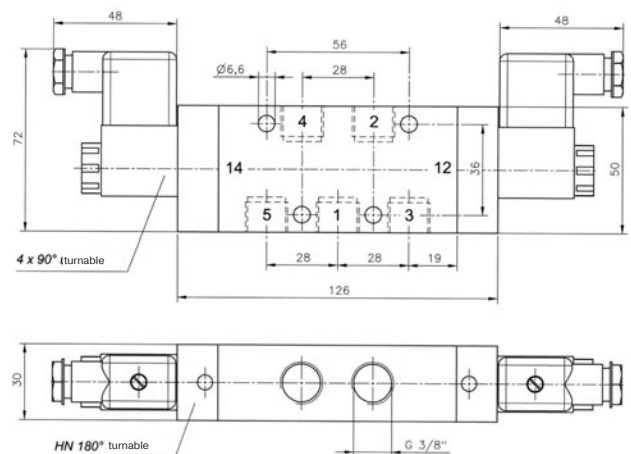
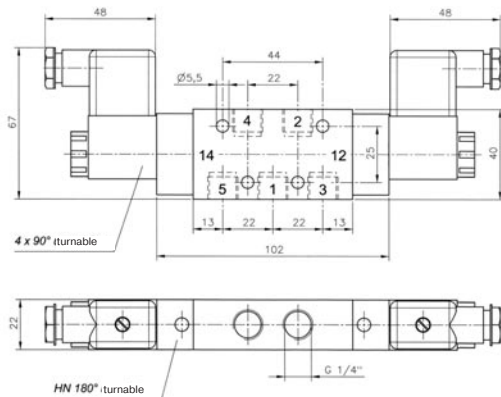
Type 531 normally closed

Type 532 normally exhausted

Type 533 normally pressurized

When ordering, please complete the type number by 1,2 or 3, according to the type in need.

Available with solenoid operators:
230V/50Hz, 110V/50Hz, 24V/50Hz, 24V =.



Valves are generally equipped with manual override. If requested without manual override, please order M 53_ ...

Also available with manual override to push; then please order MD 53_ ...

Valve is also available with external pilot feed, then please order MEH 53_ ...

Connectors as shown on the photo are included.

Type	Port size	Air flow	Operating press.	Power consumption	Weight
MH 53_ 701	G 1/4"	1250 l/min	2 - 10 bar	3 W = /5 VA ~	0,33 kg
MH 53_ 101	G 3/8"	2250 l/min	1,5 - 10 bar	3 W = /5 VA ~	0,56 kg