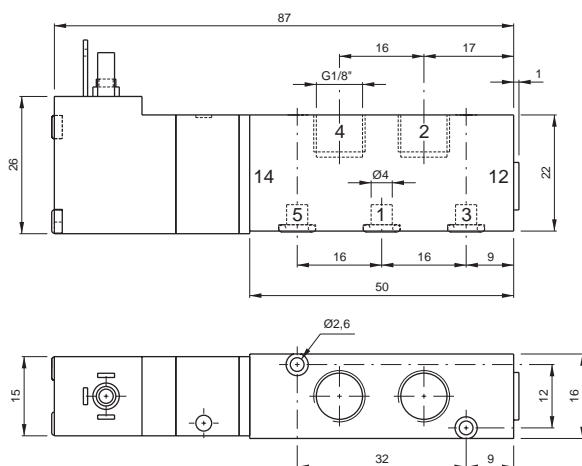


MD 510 403
MD 510 463



5/2-way solenoid valve with air spring, actuated by permanent signal. Ports 2 and 4 are at the valve; 1, 3 and 5 at the manifold plate.

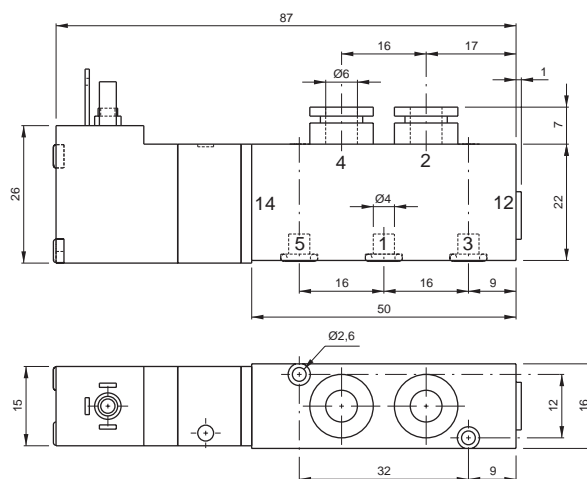
Available with solenoid operators 24 V = or 230 V ~.

Valves are generally equipped with manual override to push.

Manifolds are displayed on page 2.6.2.1.

Blanking plates are also available; type BP 5 403.

Mounting screws and seals are included.



Type	Width [mm]	Port size 2, 4	Air flow [l/min]	Operating pressure	Power consumption
MD 510 403	16	G 1/8"	450	3-10 bar	1,9 W / 3,6 VA
MD 510 463	16	6 mm p.i.f.	450	3-10 bar	1.9 W / 3.6 VA