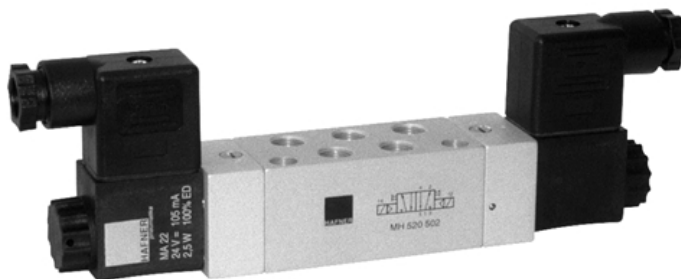


MH 520 302  
MH 520 502

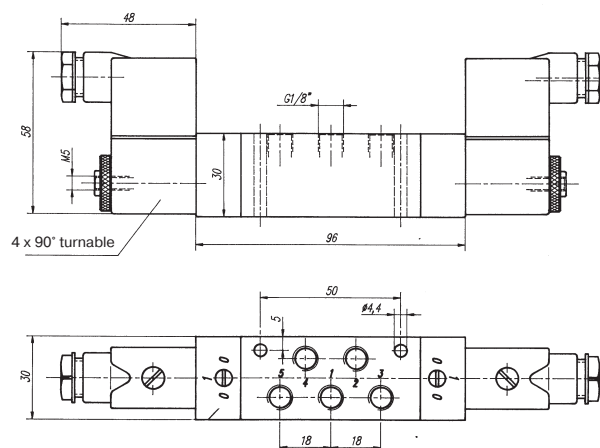
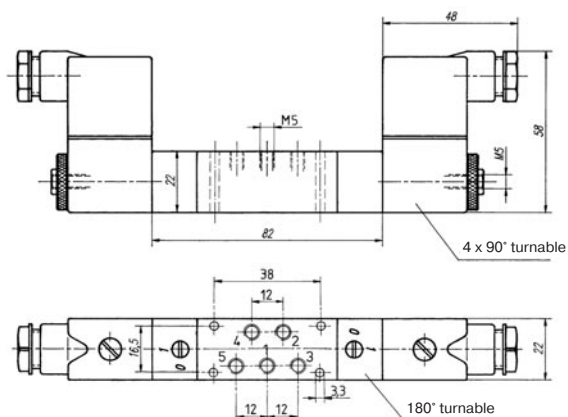


5/2-way double solenoid valve, actuated by impulse. Position is kept until an electrical signal is applied to the opposite side, even when not attached to electrical source.

Available with solenoid operators:  
230V/50Hz, 110V/50Hz, 24V/50Hz, 24V=.

Valves are generally equipped with manual override. If requested without manual override, please order M 520 ...

Connectors as shown on the photo are included.



Type	Port size	Air flow	Operating press.	Power consumption	Weight
MH 520 302	M 5	180 l/min	2 - 10 bar	3 W = /5 VA ~	0,25 kg
MH 520 502	G 1/8"	650 l/min	2 - 10 bar	3 W = /5 VA ~	0,37 kg