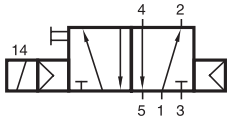
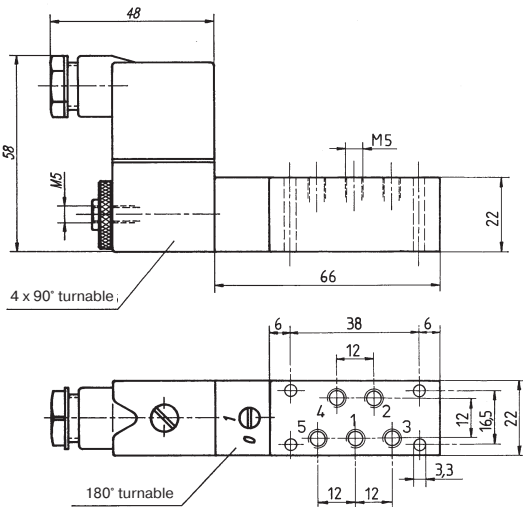
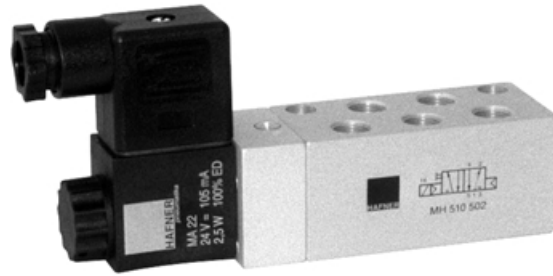


MH 510 302/MH 510 502



MH 510 302
MH 510 502

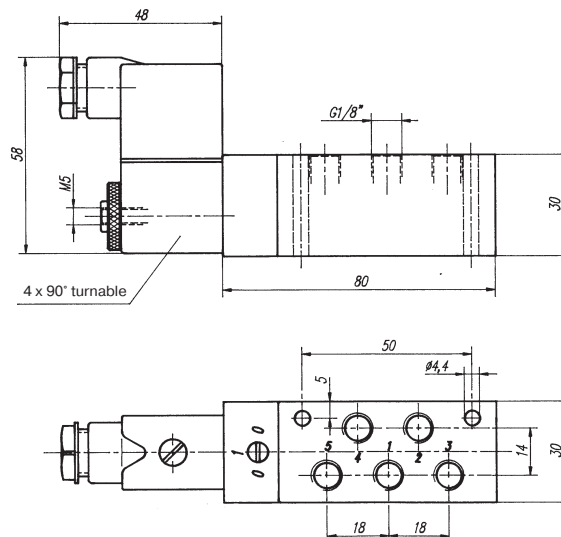


5/2-way solenoid valve with air spring, actuated by permanent signal.

Available with solenoid operators:
230V/50Hz, 110V/50Hz, 24V/50Hz, 24V=.

Valves are generally equipped with manual override. If requested without manual override, please order M 510 ...

Connectors as shown on the photo are included.



Type	Port size	Air flow	Operating press.	Power consumption	Weight
MH 310 302	M 5	180 l/min	2 - 10 bar	3 W = /5 VA ~	0,16 kg
MH 310 502	G 1/8"	650 l/min	2 - 10 bar	3 W = /5 VA ~	0,26 kg

2.5.2.1.3.