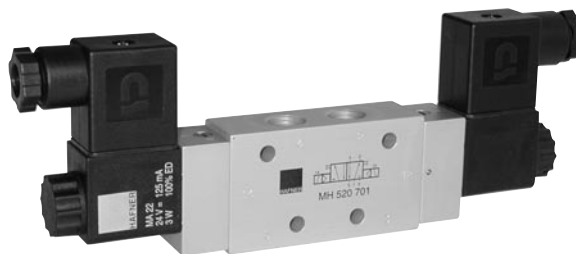


MH 520 701
MH 520 101



5/2-way double solenoid valve, actuated by impulse. Position is kept until an electrical signal is applied to the opposite side, even when not attached to electrical source.

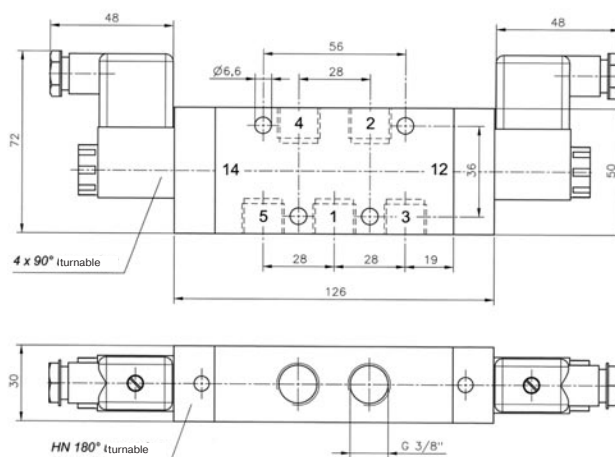
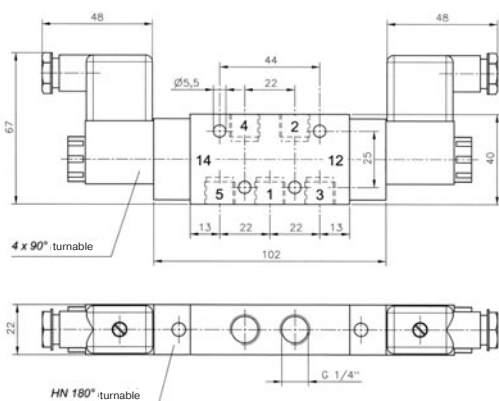
Available with solenoid operators:
230V/50Hz, 110V/50Hz, 24V/50Hz, 24V=.

Valves are generally equipped with manual override. If requested without manual override, please order M 520 ...

Also available with manual override to push; then please order MD 520 ...

Valve is also available with external pilot feed, then please order MEH 520 ...

Connectors as shown on the photo are included.



Type	Port size	Air flow	Operating press.	Power consumption	Weight
MH 520 701	G 1/4"	1250 l/min	2 - 10 bar	3 W = /5 VA ~	0,33 kg
MH 520 101	G 3/8"	2250 l/min	1,5 - 10 bar	3 W = /5 VA ~	0,56 kg