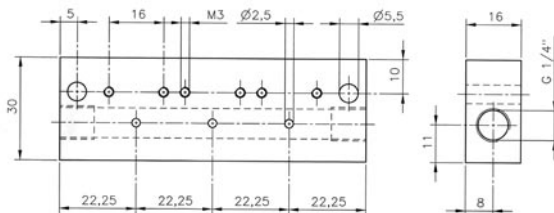
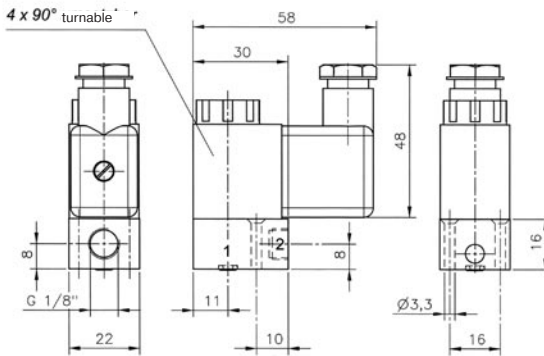
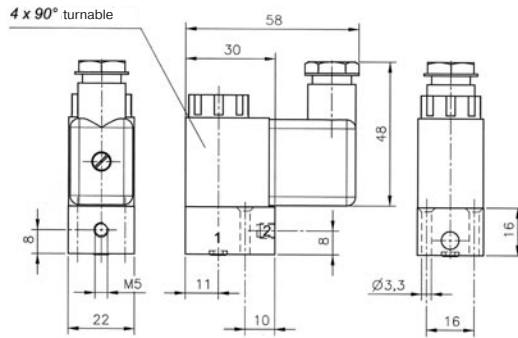
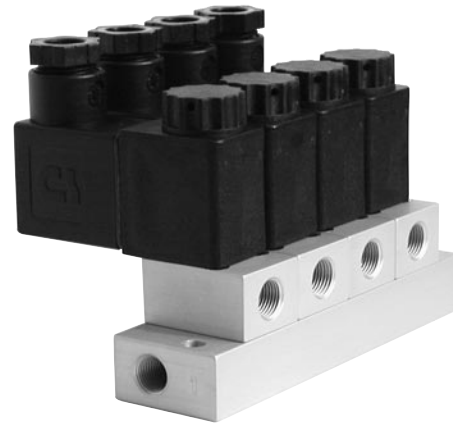


MH 312
MH 315



System consisting of direct actuated 3/2 way solenoid valves, normally closed, actuated by permanent signal and a manifold plate for common pressure supply (1). Exhaust through operator tube.

Valves are generally equipped with manual override. If requested without manual override, please order M 312 or M 315. Valves are also available with integrated push-in fittings. Order code for valves with 4 mm p.i.f.: MH 314. Order code for valves with 6 mm p.i.f.: MH 316.

Available with solenoid operators 230 V/ 50 Hz, 110V/50 Hz, 24V/50 Hz, 24V=.

Power consumption: 3 W, 5 VA.

Mounting screws, seals and connectors are included.

Different types of valves can be mixed on one plate. Order code for the plate is R __ (when ordering, please complete by the number of stations in need).

Common exhaust line to be assembled on the top using banjo joints is available on request

Manifolds displayed on page

Blanking plates are also available: Type BP 3

Type	Port size	Air flow	Operating press.	Power consumption	Weight
MH 312	M 5	40 l/min	0 - 10 bar	3 W = /5 VA ~	0,10 kg
MH 314	pif 4mm	40 l/min	0 - 10 bar	3 W = /5 VA ~	0,10 kg
MH 315	G 1/8"	50 l/min	0 - 10 bar	3 W = /5 VA ~	0,11 kg
MH 316	pif 6mm	50 l/min	0 - 10 bar	3 W = /5 VA ~	0,11 kg