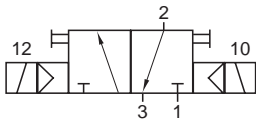
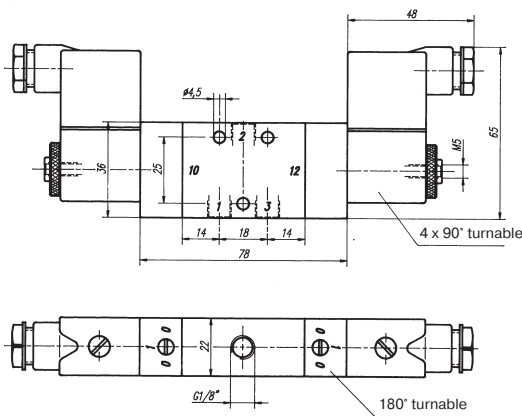
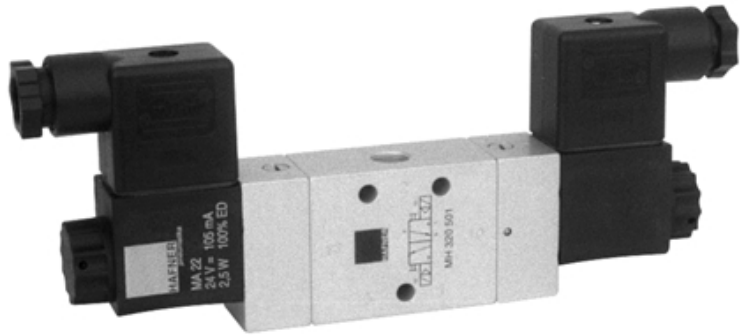


MH 320 501/MH 320 801/MH 320 121



MH 320 501
MH 320 801
MH 320 121



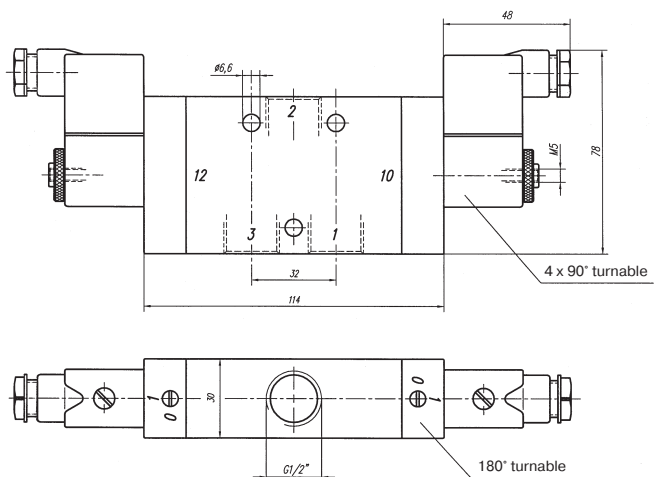
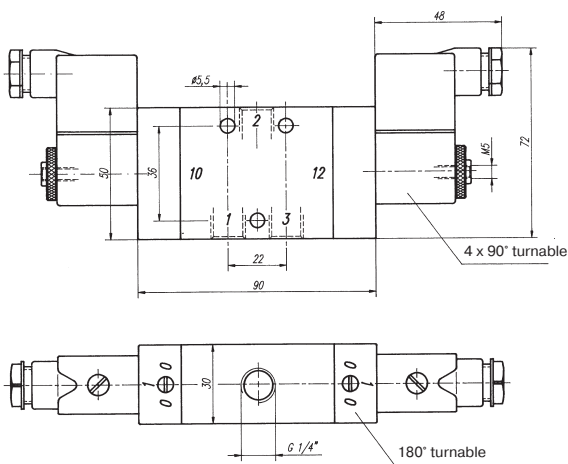
3/2-way double solenoid valve, actuated by impulse. Position is kept until an electrical signal is applied to the opposite side, even when not attached to electrical source.

Available with solenoid operators:
230V/50Hz, 110V/50Hz, 24V/50Hz, 24V=.

Valves are generally equipped with manual override. If requested without manual override, please order type no. M 320 ...

Valve is also available with external pilot feed; then please order MEH 320 ...

Connectors as shown on the photo are included.



Type	Port size	Air flow	Operating press.	Power consumption	Weight
MH 320 501	G 1/8"	650 l/min	2 - 10 bar	3 W = /5 VA ~	0,30 kg
MH 320 801	G 1/4"	1450 l/min	1,5 - 10 bar	3 W = /5 VA ~	0,49 kg
MH 320 121	G 1/2"	3000 l/min	1 - 10 bar	3 W = /5 VA ~	0,65 kg

2.5.1.1.7.