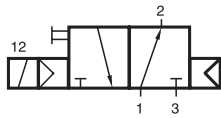
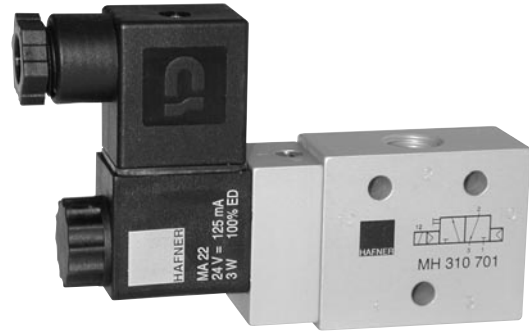


MH 310 701
MH 310 101



MOH 310 701
MOH 310 101



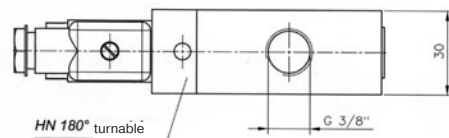
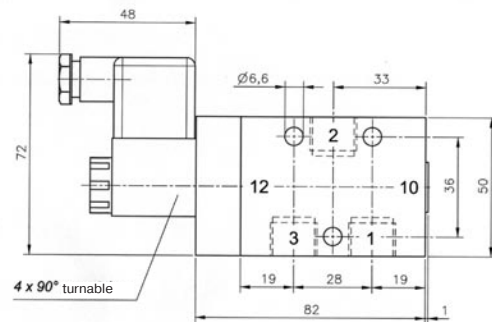
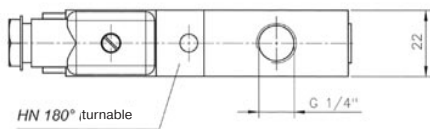
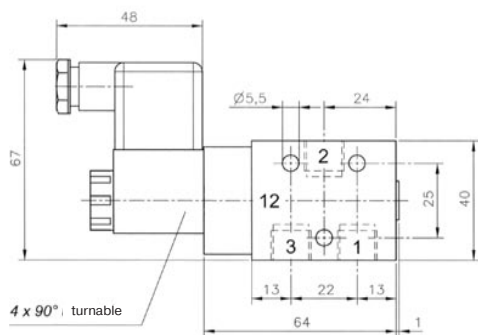
3/2-way solenoid valve with air spring, normally closed or normally open, actuated by permanent signal.

Available with solenoid operators:
230V/50Hz, 110V/50Hz, 24V/50Hz, 24V=.

Valves are generally equipped with manual override. If requested without manual override, please order M 310 .../MO 310 ...

The valve is also available with external pilot feed; then please order MEH 310 ... or MEOH 310 ...

Connectors as shown on the photo are included.



Type	Port size	Air flow	Operating press.	Power consumption	Weight
MH 310 701	G 1/4"	1250 l/min	2 - 10 bar	3 W = /5 VA ~	0,19 kg
MH 310 101	G 3/8"	2250 l/min	1,5 - 10 bar	3 W = /5 VA ~	0,34 kg
MOH 310 701	G 1/4"	1250 l/min	2 - 10 bar	3 W = /5 VA ~	0,19 kg
MOH 310 101	G 3/8"	2250 l/min	1,5 - 10 bar	3 W = /5 VA ~	0,34 kg