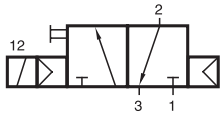
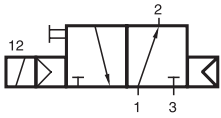


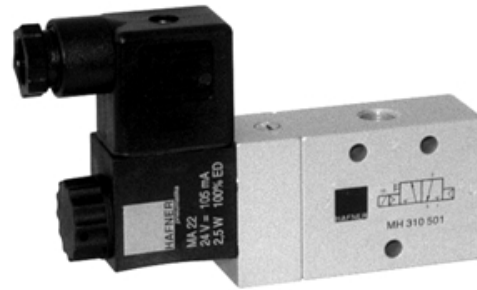
# M(O)H 310 501/M(O)H 310 801/M(O)H 310 121



MH 310 501  
MH 310 801  
MH 310 121



MOH 310 501  
MOH 310 801  
MOH 310 121



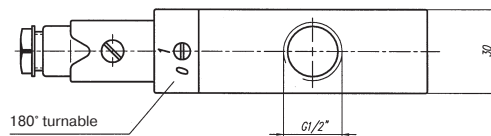
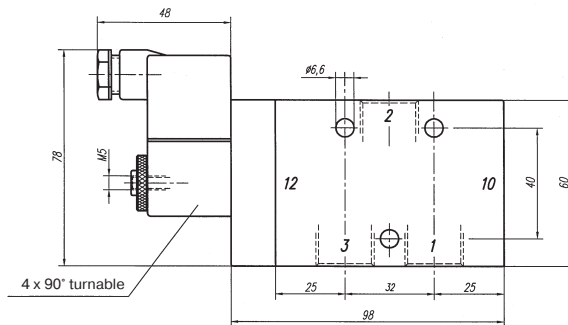
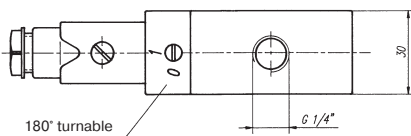
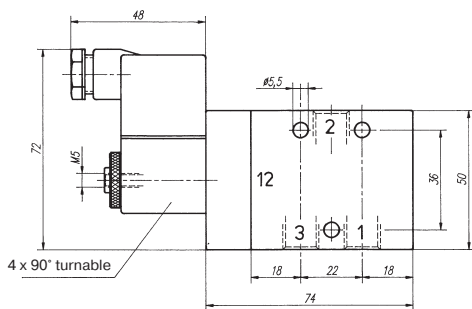
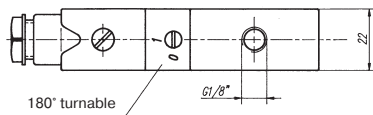
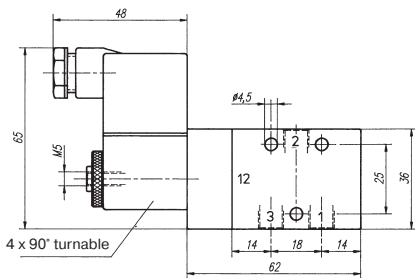
3/2-way solenoid valve with air spring, normally closed or normally open, actuated by permanent signal.

Available with solenoid operators:  
230V/50Hz, 110V/50Hz, 24V/50Hz, 24V=.

Valves are generally equipped with manual override. If requested without manual override, please order M 310 .../MO 310 ...

The valve is also available with external pilot feed; then please order MEH 310 ... or MEOH 310 ...

Connectors as shown on the photo are included.



Type	Port size	Air flow	Operating press.	Power consumption	Weight
MH 310 501	G 1/8"	650 l/min	2 - 10 bar	3 W = /5 VA ~	0,20 kg
MH 310 801	G 1/4"	1450 l/min	1,5 - 10 bar	3 W = /5 VA ~	0,36 kg
MH 310 121	G 1/2"	3000 l/min	1 - 10 bar	3 W = /5 VA ~	0,51 kg

## 2.5.1.1.5.