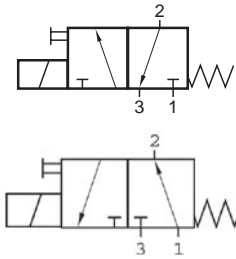


MH 311 012/MOH 311 012/MH 311 015/MOH 311 015

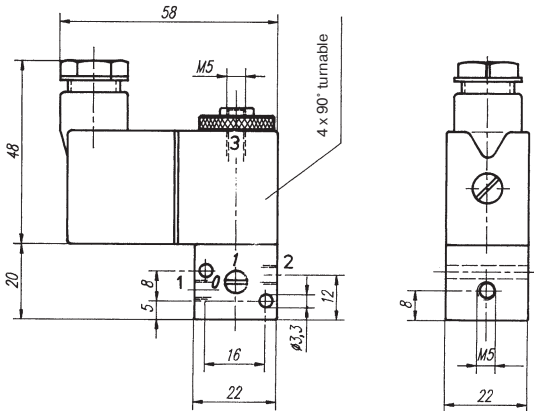


MH 311 012
MH 311 015

MOH 311 012
MOH 311 015



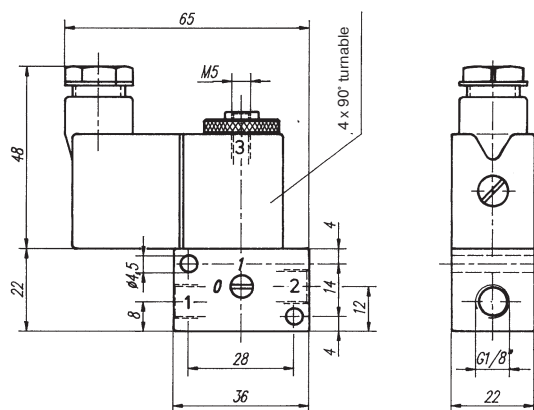
Directly operated 3/2"way solenoid valve with mechanical spring, actuated by permanent signal, normally closed (MH), normally open (MOH). **Conection 3 = 1 and 1 = 3**



Available with solenoid operators:
230V/50Hz, 110V/50Hz, 24V/50Hz, 24V=, 12V=.

Valves are generally equipped with manual override. If requested without manual override, please order M 311 ...

Connectors as shown on the photo are included.



Type	Port size	Air flow	Operating press.	Power consumption	Weight
MH 311 012	M 5	40 l/min	0 - 10 bar	3 W = /5 VA ~	0,10 kg
MH 311 015	G 1/8"	50 l/min	0 - 10 bar	3 W = /5 VA ~	0,11 kg
MOH 311 012	M 5	40 l/min	0 - 10 bar	3 W = /5 VA ~	0,10 kg
MOH 311 015	G 1/8"	50 l/min	0 - 10 bar	3 W = /5 VA ~	0,11 kg

2.5.1.1.1.