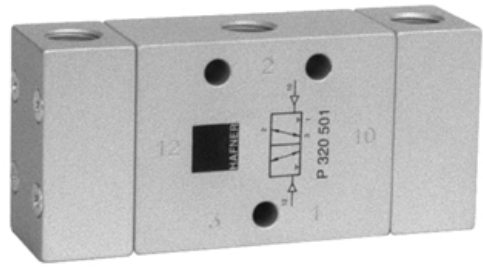


P 320 501
P 320 801
P 320 121

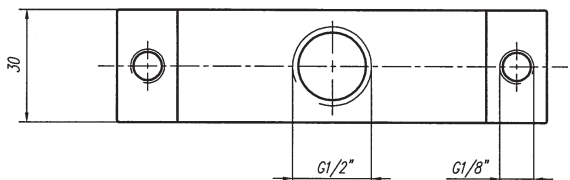
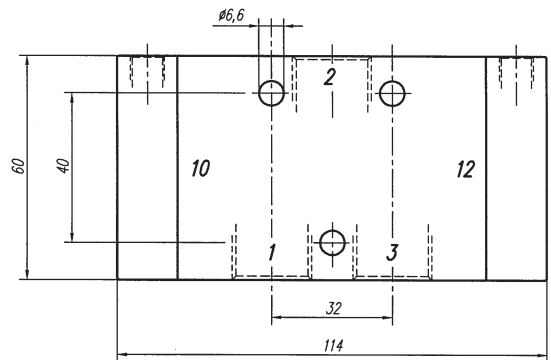
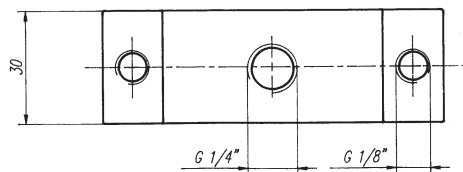
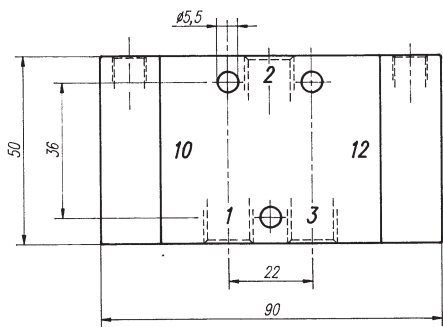
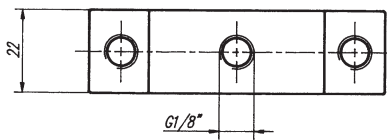
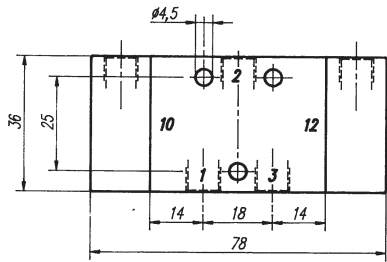


Pneumatically actuated 3/2-way spool valve actuated by impulse.

If pressure is applied to 12, the valve is open from 1 to 2 and 3 is blocked; if pressure is applied at 10, the valve is open from 2 to 3.

Position is kept until next pneumatical signal is applied.

Exhaust can be throttled.



Type	Port size	Air flow	Operating press.	Actuation press.	Weight
P 320 501	G 1/8"	650 l/min	1 - 10 bar	2,5 - 10 bar	0,16 kg
P 320 801	G 1/4"	1450 l/min	1 - 10 bar	2,5 - 10 bar	0,34 kg
P 320 121	G 1/2"	3000 l/min	1 - 10 bar	2,5 - 10 bar	0,50 kg