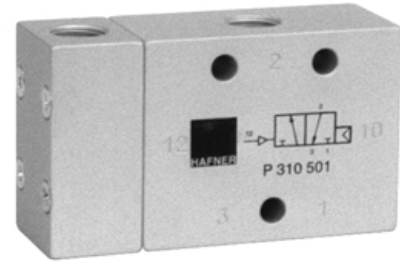
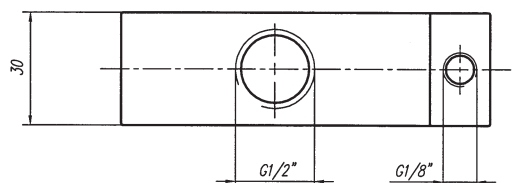
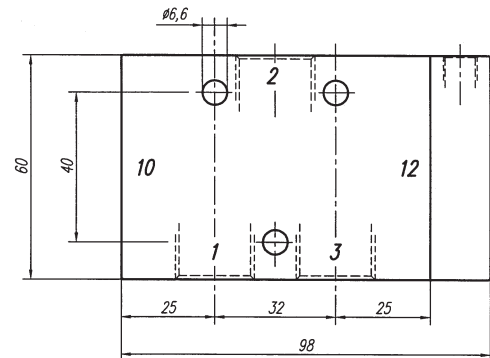
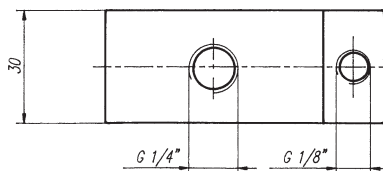
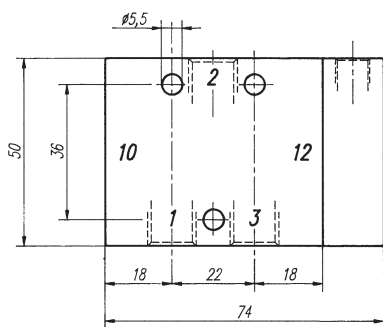
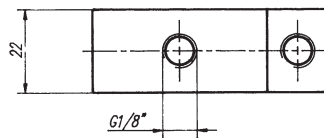
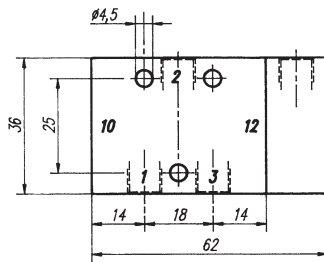


P 311 501
P 311 801
P 311 121



Pneumatically actuated 3/2-way spool valve with mechanical spring.

If pressure is attached to port 1, the function is normally closed. If pressure is applied to port 3, the function is normally open. Pressure can also be applied to port 2.



Type	Port size	Air flow	Operating press.	Actuation press.	Weight
P 311 501	G 1/8"	650 l/min	2 - 10 bar	3 - 10 bar	0,13 kg
P 311 801	G 1/4"	1450 l/min	1,5 - 10 bar	3 - 10 bar	0,28 kg
P 311 121	G 1/2"	3000 l/min	1 - 10 bar	3 - 10 bar	0,43 kg