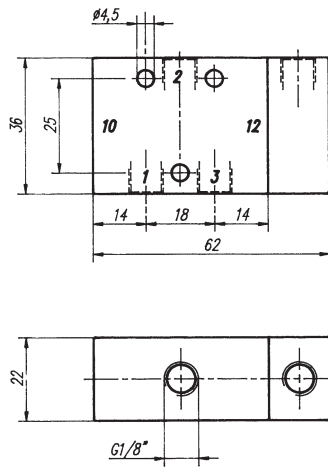
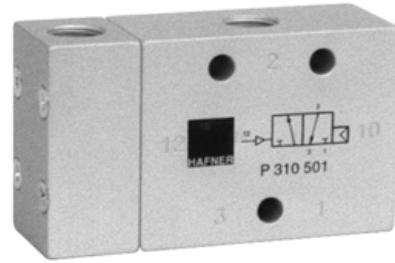


P 310 501
P 310 801
P 310 121

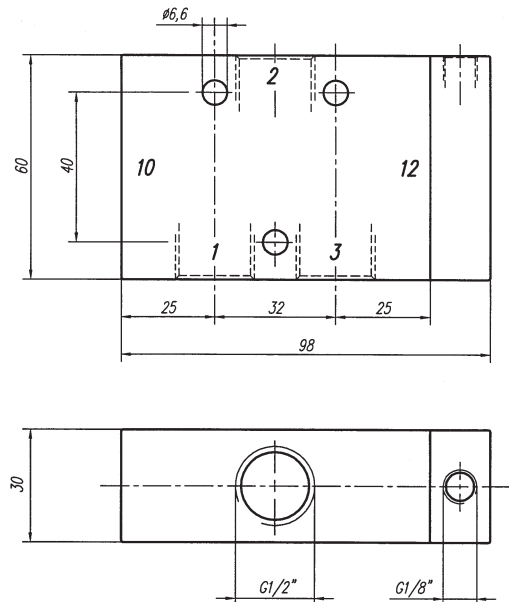
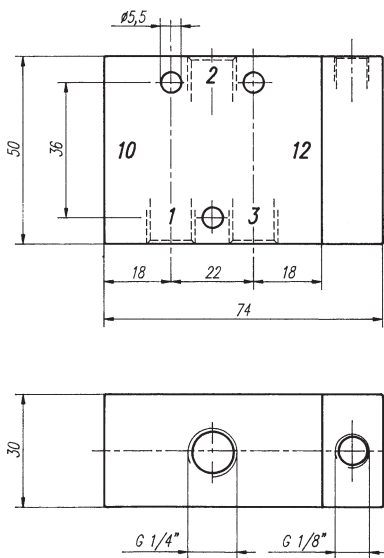


Pneumatically actuated 3/2-way spool valve with air spring return.

If pressure is attached to port 1, the function is normally closed. If pressure is applied to port 3, the function is normally open. Do not attach pressure at port 2.

Exhaust can be throttled.

Operating pressure and actuation pressure should be at the same level.



Type	Port size	Air flow	Operating press.	Actuation press.	Weight
P 310 501	G 1/8"	650 l/min	2 - 10 bar	the same	0,13 kg
P 310 801	G 1/4"	1450 l/min	1,5 - 10 bar	the same	0,28 kg
P 310 121	G 1/2"	3000 l/min	1 - 10 bar	the same	0,43 kg