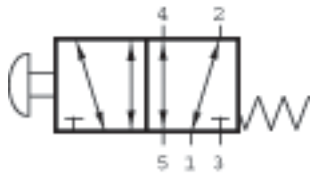
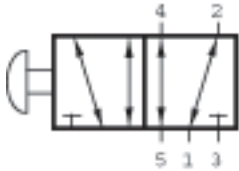


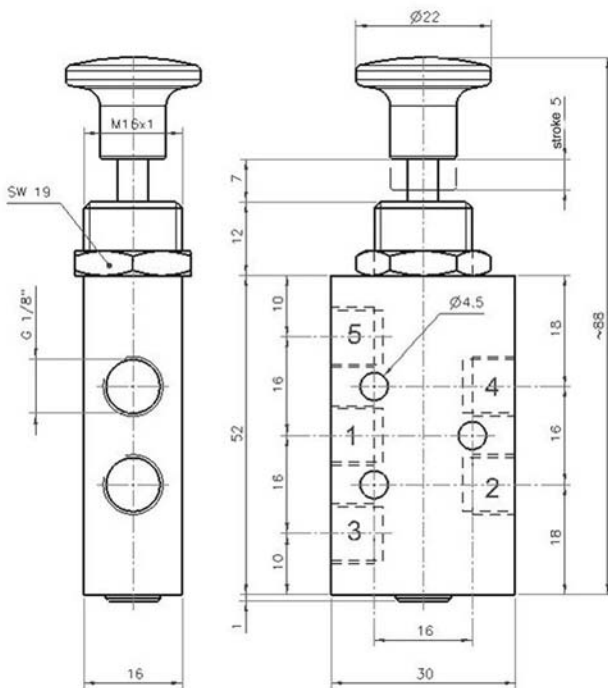
BH 511 401 / BH 520 401



BH 511 401



BH 520 401



Manually actuated 5/2-way spool valve either with spring return to outer position (type 511) or with two stable positions (type 520).

Normally open from 1 to 2 and from 4 to 5.
Operated open from 1 to 4 and 2 to 3.

Exhaust can be throttled.

Nut M 16 X 1 is included.

Type	Port size	air flow	operating press.	Actuation force	Weight
BH 511 401	G 1/8"	450 l/min	2 - 10 bar	14 N	
BH 520 401	G 1/8"	450 l/min	2 - 10 bar	15 N	