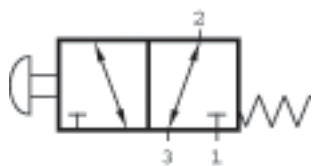
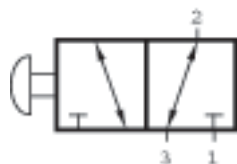


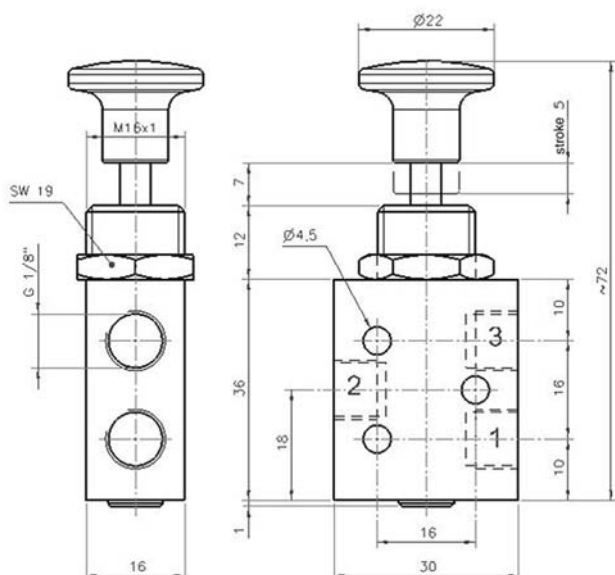
# BH 311 401 / BH 320 401



BH 311 401



BH 320 401



Manually actuated 3/2-way spool valve either with spring return to outer position (type 311) or with two stable positions (type 320).

Normally open from 2 to 3; 1 is closed. The use of the ports is interchangeable.

Pressure at 1 means normally closed, pressure at port 3 means normally open.

Exhaust can be throttled.

Nut M 16 X 1 is included.

Type	Port size	air flow	operating press.	Actuation force	Weight
BH 311 401	G 1/8"	450 l/min	2 - 10 bar	14 N	
BH 320 401	G 1/8"	450 l/min	2 - 10 bar	15 N	