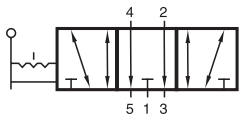
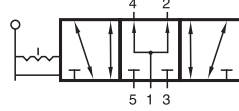


HVR 531 701
HVR 531 101



HVR 532 701
HVR 532 101



HVR 533 701
HVR 533 101



Lever actuated 5/3-way spool valve, indexed in 3 positions.

Type 531 normally closed

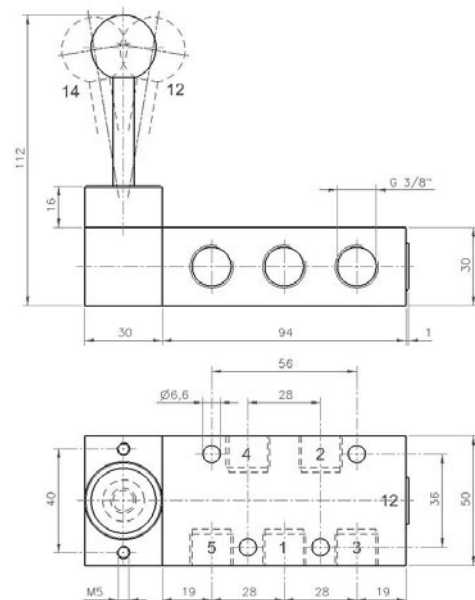
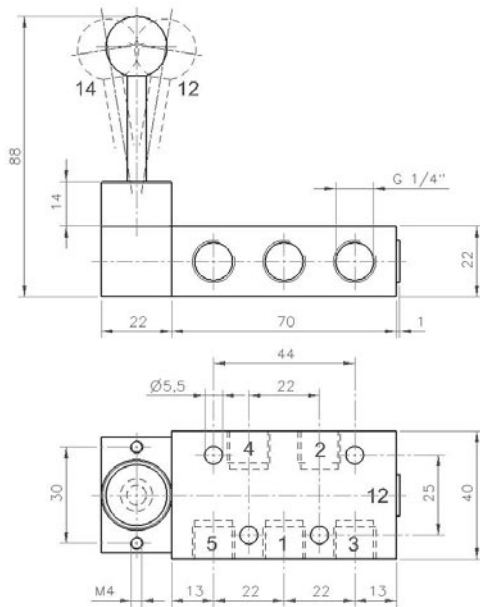
Type 532 normally exhausted

Type 533 normally pressurized

When ordering, please complete the type number by 1, 2 or 3, according to the type in need.

The lever is sealed against the valve by using a metal ball.

Exhaust can be throttled.



Type	Port size	Air flow	Operating press.	Actuation force	Weight
HVR 53_ 701	G 1/4"	1250 l/min	0 - 10 bar	20 N	0,21 kg
HVR 53_ 101	G 3/8"	2250 l/min	0 - 10 bar	25 N	0,49 kg