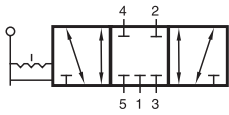
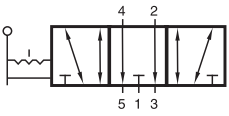


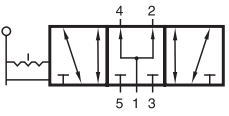
# HVR 53\_501/HVR 53\_801/HVR 53\_121



HVR 531 501  
HVR 531 801  
HVR 531 121



HVR 532 501  
HVR 532 801  
HVR 532 121



HVR 533 501  
HVR 533 801  
HVR 533 121



Lever actuated 5/3-way spool valve, indexed in 3 positions.

Type 531 normally closed

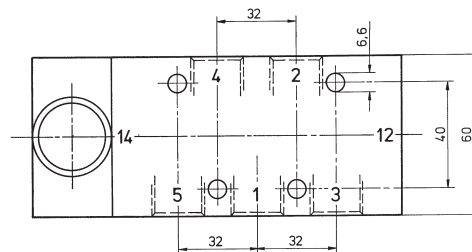
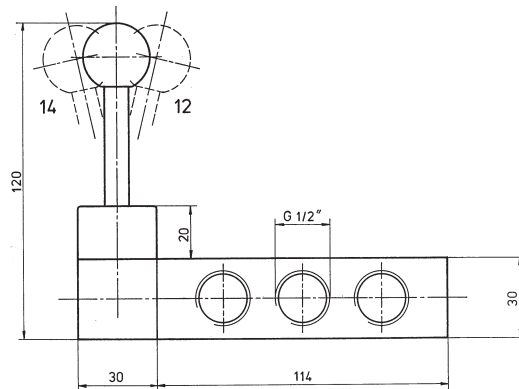
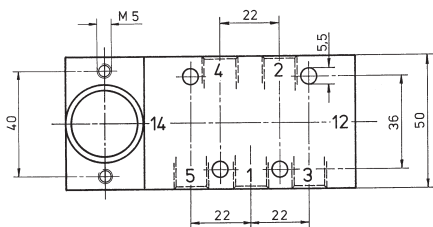
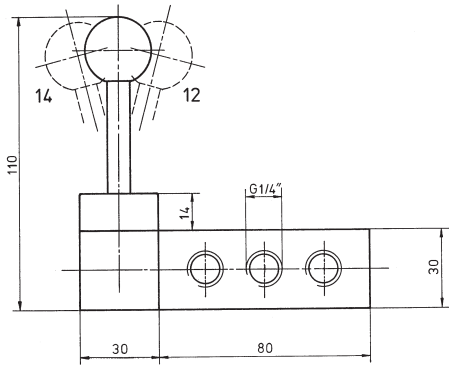
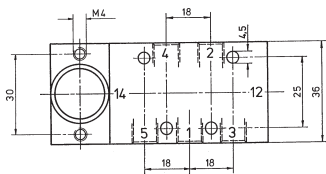
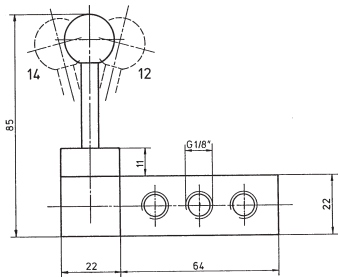
Type 532 normally exhausted

Type 533 normally pressurized

*When ordering, please complete the type number by 1,2 or 3, according to the type in need.*

The lever is sealed against the valve by using a metal ball.

Exhaust can be throttled.



Type	Port size	Air flow	Operating press.	Actuating force	Weight
HVR 53_501	G 1/8"	650 l/min	1 - 10 bar	20 N	0,22 kg
HVR 53_801	G 1/4"	1450 l/min	1 - 10 bar	25 N	0,53 kg
HVR 53_121	G 1/2"	3000 l/min	1 - 10 bar	32 N	0,79 kg

## 2.3.3.3.