

Lever actuated 5/3-way spool valve with spring return to middle position.

Type 531 normally closed

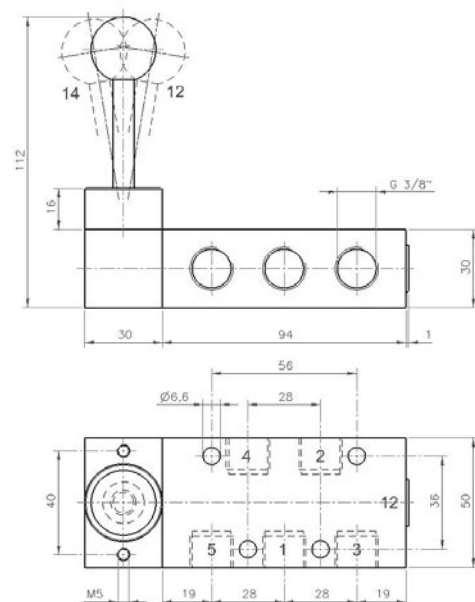
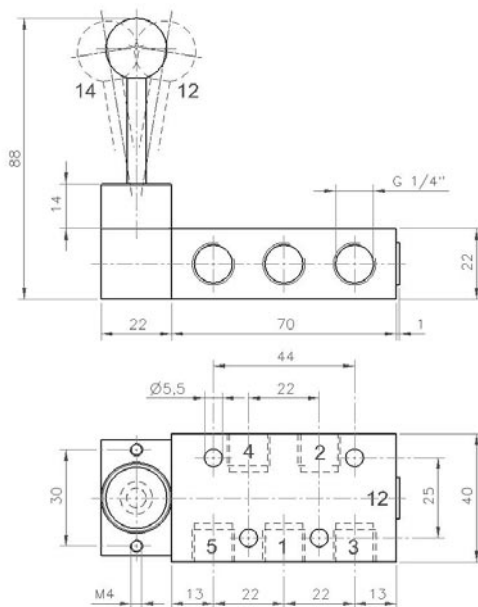
Type 532 normally exhausted

Type 533 normally pressurized

When ordering, please complete the type number by 1,2 or 3, according to the type in need.

The lever is sealed against the valve by using a metal ball.

Exhaust can be throttled.



Type	Port size	Air flow	Operating press.	Actuation force	Weight
HV 53_ 701	G 1/4"	1250 l/min	0 - 10 bar	20 N	0,21 kg
HV 53_ 101	G 3/8"	2250 l/min	0 - 10 bar	25 N	0,49 kg