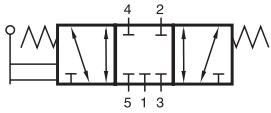
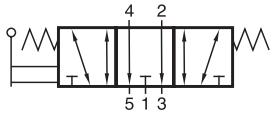


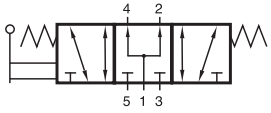
HV 53_ 501/HV 53_ 801/HV 53_ 121



HV 531 501
HV 531 801
HV 531 121



HV 532 501
HV 532 801
HV 532 121



HV 533 501
HV 533 801
HV 533 121



Lever actuated 5/3-way spool valve with spring return to middle position.

Type 531 normally closed

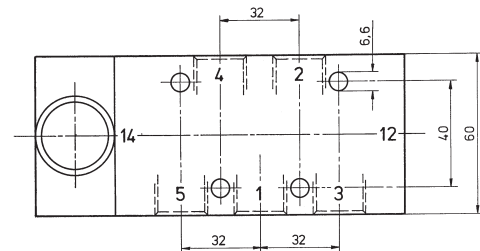
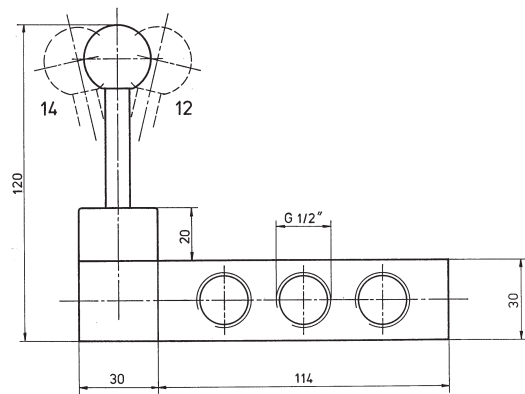
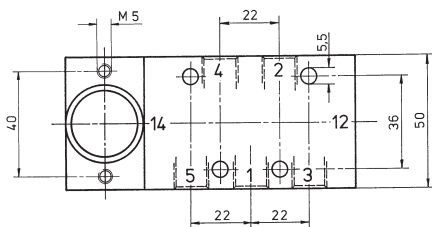
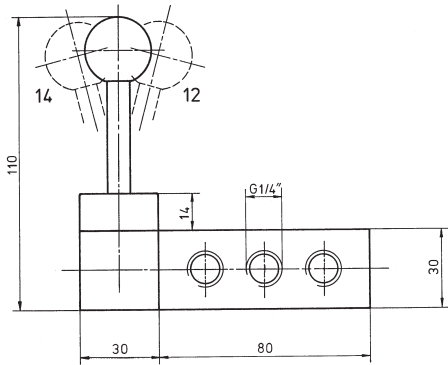
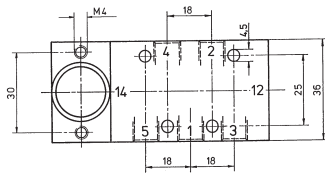
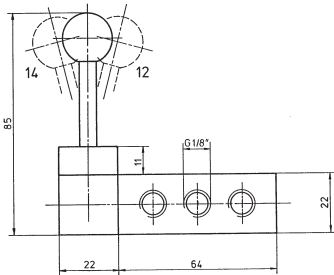
Type 532 normally exhausted

Type 533 normally pressurized

When ordering, please complete the type number by 1, 2 or 3, according to the type in need.

The lever is sealed against the valve by using a metal ball.

Exhaust can be throttled.



Type	Port size	Air flow	Operating press.	Actuating force	Weight
HV 53_ 501	G 1/8"	650 l/min	1 - 10 bar	20 N	0,22 kg
HV 53_ 801	G 1/4"	1450 l/min	1 - 10 bar	25 N	0,53 kg
HV 53_ 121	G 1/2"	3000 l/min	1 - 10 bar	32 N	0,79 kg

2.3.3.1.