

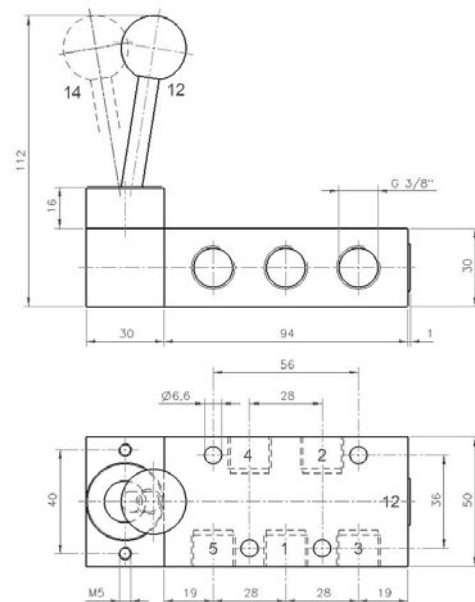
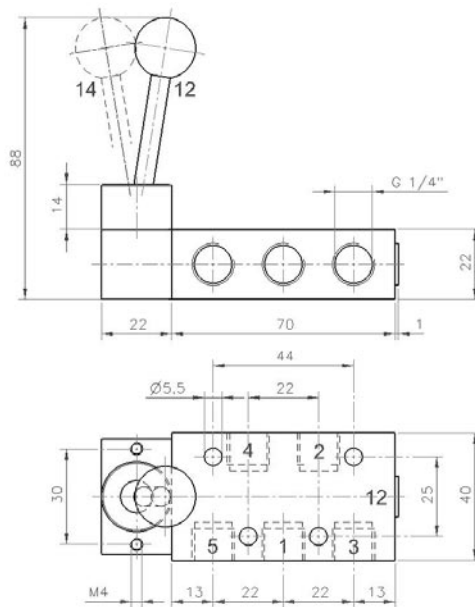
HVR 520 701
HVR 520 101



Lever actuated indexed 5/2-way spool valve.

The lever is sealed against the valve by using a metal ball.

Exhaust can be throttled.



Type	Port size	Air flow	Operating press.	Actuation force	Weight
HVR 520 701	G 1/4"	1250 l/min	0 - 10 bar	20 N	0,21 kg
HVR 520 101	G 3/8"	2250 l/min	0 - 10 bar	25 N	0,49 kg