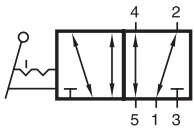


# HVR 520 501/HVR 520 801/HVR 520 121



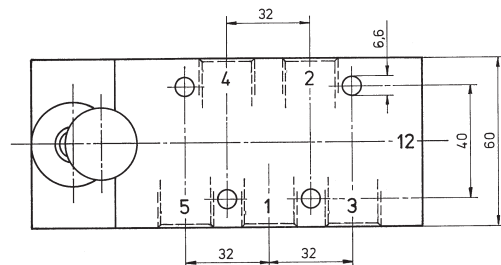
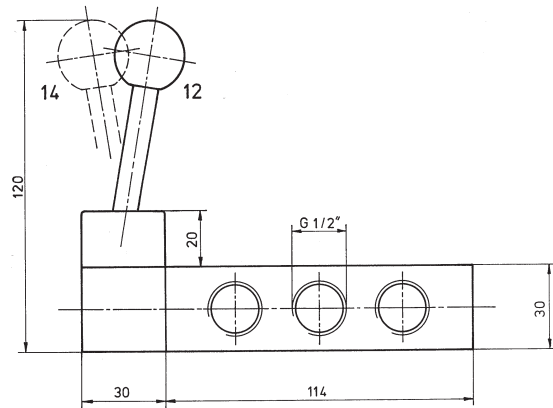
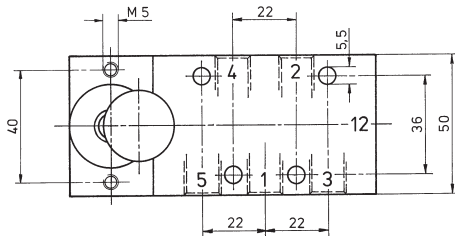
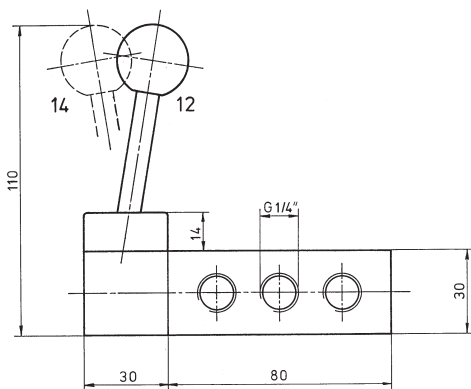
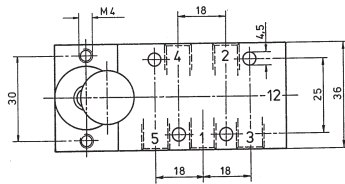
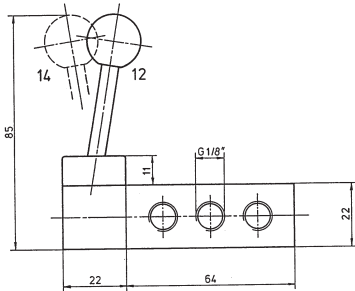
HVR 520 501  
HVR 520 801  
HVR 520 121



Lever actuated indexed 5/2-way spool valve.

The lever is sealed against the valve by using a metal ball.

Exhaust can be throttled.



Type	Port size	Air flow	Operating press.	Actuating force	Weight
HVR 520 501	G 1/8"	650 l/min	1 - 10 bar	20 N	0,22 kg
HVR 520 801	G 1/4"	1450 l/min	1 - 10 bar	25 N	0,53 kg
HVR 520 121	G 1/2"	3000 l/min	1 - 10 bar	32 N	0,79 kg

## 2.3.2.3.