

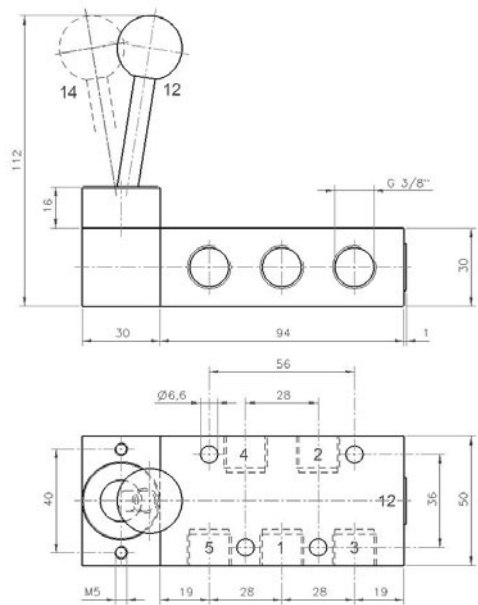
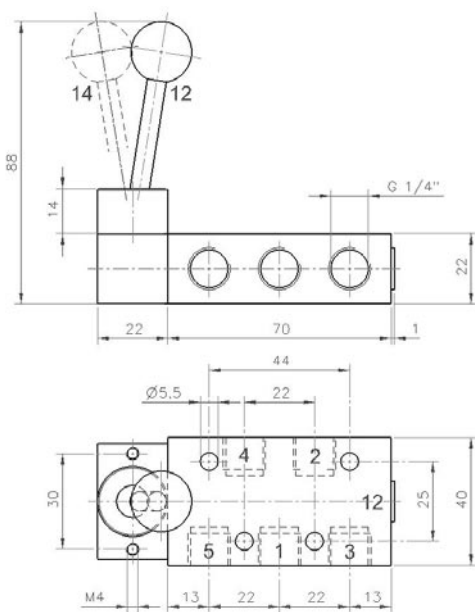
HV 511 701  
HV 511 101



Lever actuated 5/2-way spool valve with spring return.

The lever is sealed against the valve by using a metal ball.

Exhaust can be throttled.



| Type       | Port size | Air flow   | Operating press. | Actuation force | Weight  |
|------------|-----------|------------|------------------|-----------------|---------|
| HV 511 701 | G 1/4"    | 1250 l/min | 0 - 10 bar       | 20 N            | 0,21 kg |
| HV 511 101 | G 3/8"    | 2250 l/min | 0 - 10 bar       | 25 N            | 0,49 kg |