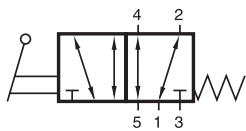


# HV 511 501/HV 511 801/HV 511 121



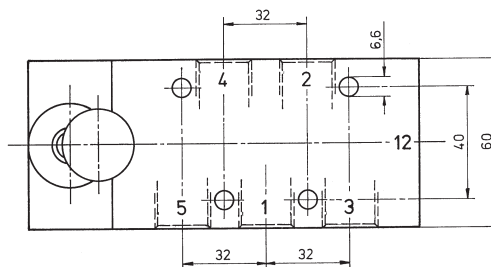
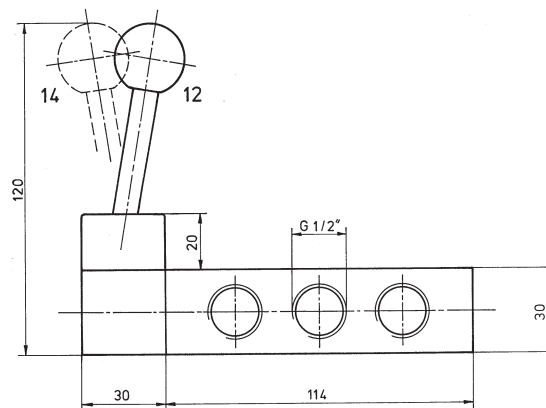
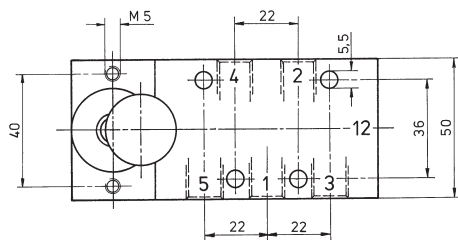
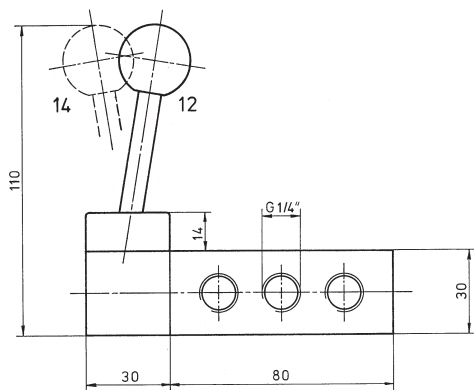
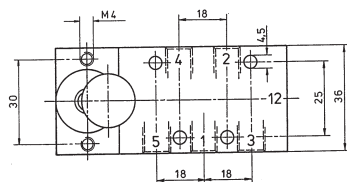
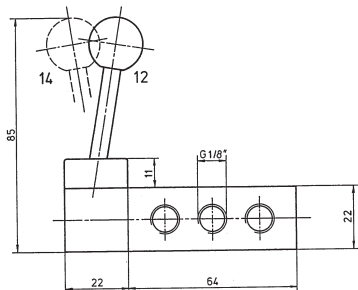
HV 511 501  
 HV 511 801  
 HV 511 121



Lever actuated 5/2-way spool valve with spring return.

The lever is sealed against the valve by using a metal ball.

Exhaust can be throttled.



Type	Port size	Air flow	Operating press.	Actuating force	Weight
HV 511 501	G 1/8"	650 l/min	1 - 10 bar	20 N	0,22 kg
HV 511 801	G 1/4"	1450 l/min	1 - 10 bar	25 N	0,53 kg
HV 511 121	G 1/2"	3000 l/min	1 - 10 bar	32 N	0,79 kg

## 2.3.2.1.