

HVR 320 701
HVR 320 101

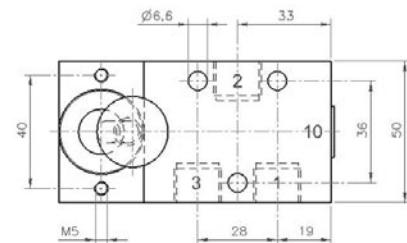
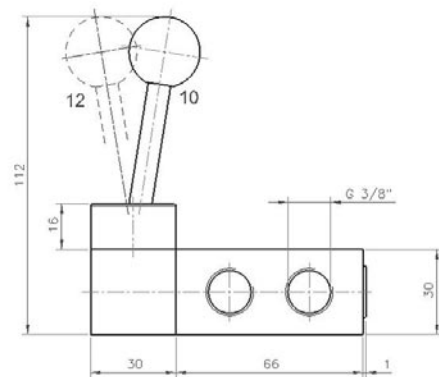
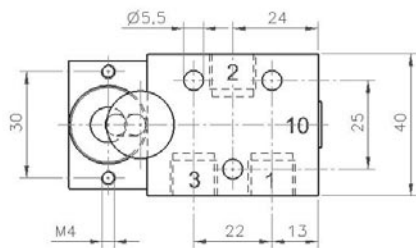
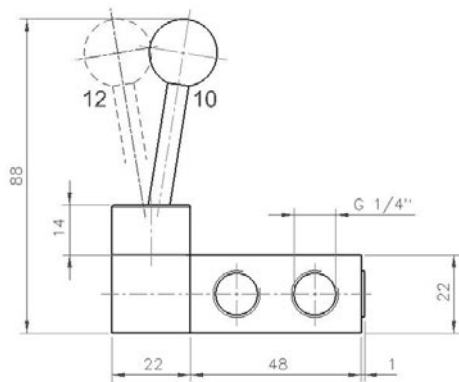


Lever actuated indexed 3/2-way spool valve.

If pressure is applied to port 1, the function is normally closed. If pressure is applied to port 3, the function is normally open.

The lever is sealed against the valve by using a metal ball.

Exhaust can be throttled.



Type	Port size	Air flow	Operating press.	Actuation force	Weight
HVR 320 701	G 1/4"	1250 l/min	0 - 10 bar	20 N	0,21 kg
HVR 320 101	G 3/8"	2250 l/min	0 - 10 bar	25 N	0,41 kg