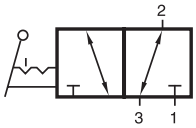
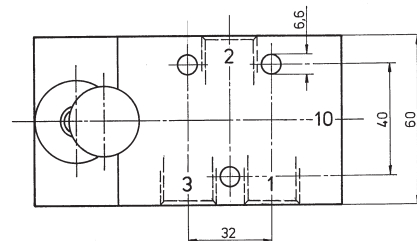
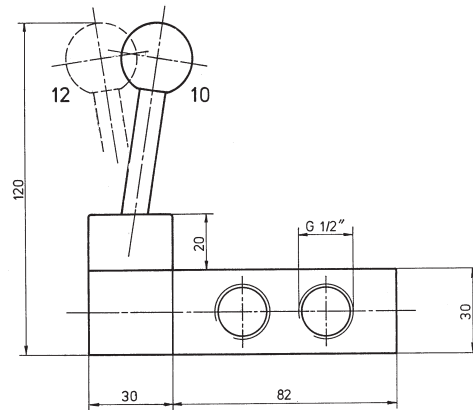
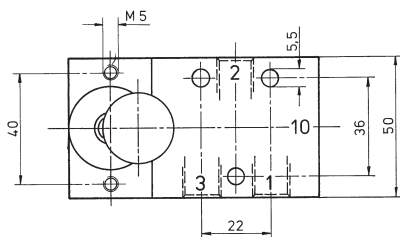
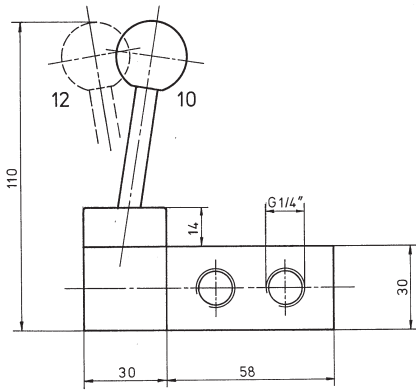
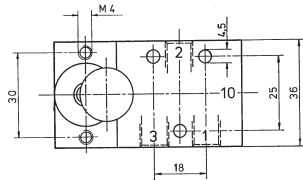
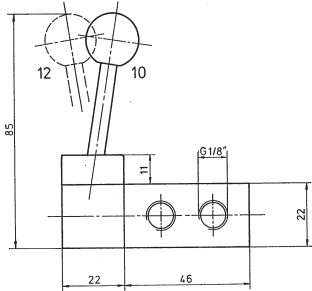
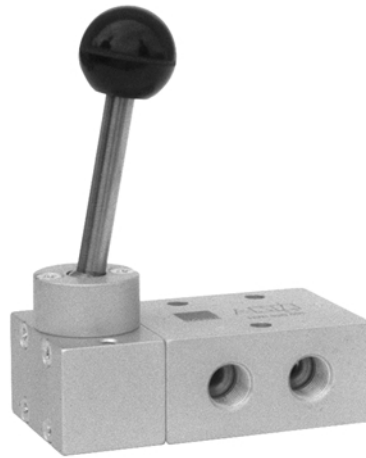


HVR 320 501/HVR 320 801/HVR 320 121



HVR 320 5101
HVR 320 801
HVR 320 121



Lever actuated indexed 3/2-way spool valve.

If pressure is applied to port 1, the function is normally closed. If pressure is applied to port 3, the function is normally open.

The lever is sealed against the valve by using a metal ball.

Exhaust can be throttled.

Type	Port size	Air flow	Operating press.	Actuating force	Weight
HVR 320 501	G 1/8"	650 l/min	1 - 10 bar	20 N	0,19 kg
HVR 320 801	G 1/4"	1450 l/min	1 - 10 bar	25 N	0,45 kg
HVR 320 121	G 1/2"	3000 l/min	1 - 10 bar	32 N	0,66 kg

2.3.1.3.