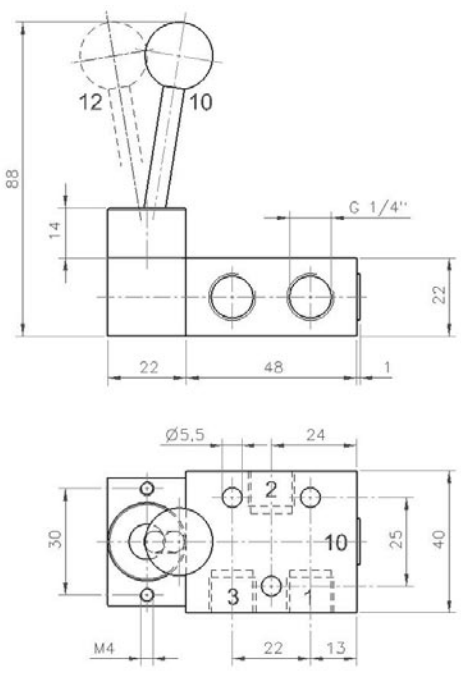


HV 311 701
HV 311 101

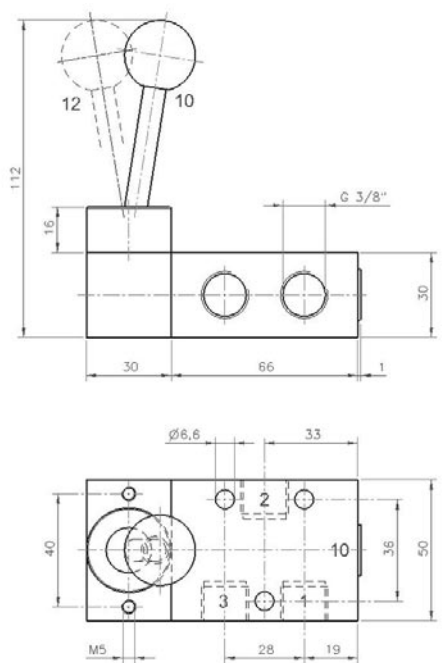


Lever actuated 3/2-way spool valve with spring return.

If pressure is applied to port 1, the function is normally closed. If pressure is applied to port 3, the function is normally open.

The lever is sealed against the valve by using a metal ball.

Exhaust can be throttled.



Type	Port size	Air flow	Operating press.	Actuation force	Weight
HV 311 701	G 1/4"	1250 l/min	0 - 10 bar	20 N	0,18 kg
HV 311 101	G 3/8"	2250 l/min	0 - 10 bar	25 N	0,41 kg