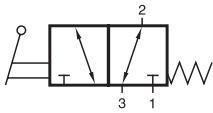
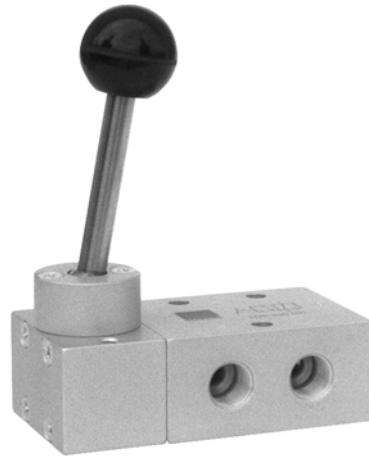


HV 311 501/HV 311 801/HV 311 121



HV 311 501
HV 311 801
HV 311 121

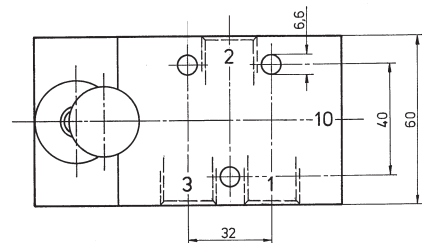
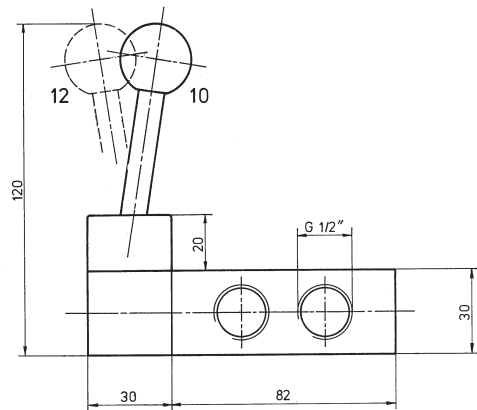
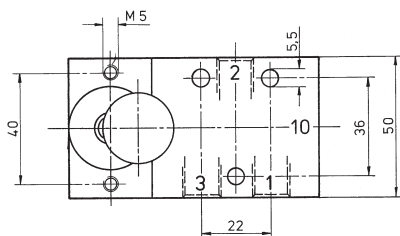
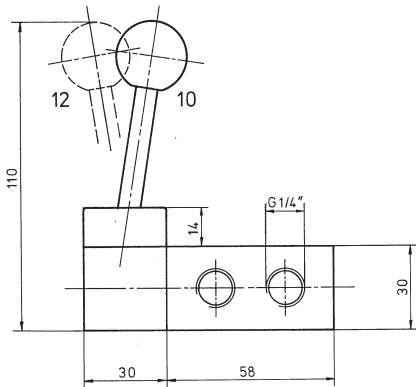
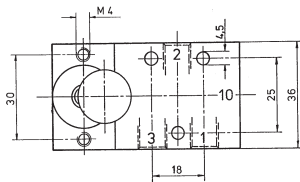
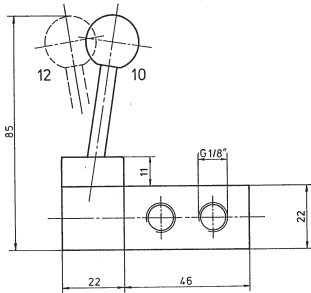


Lever actuated 3/2-way spool valve with spring return.

If pressure is applied to port 1, the function is normally closed. If pressure is applied to port 3, the function is normally open.

The lever is sealed against the valve by using a metal ball.

Exhaust can be throttled.



Type	Port size	Air flow	Operating press.	Actuating force	Weight
HV 311 501	G 1/8"	650 l/min	1 - 10 bar	20 N	0,19 kg
HV 311 801	G 1/4"	1450 l/min	1 - 10 bar	25 N	0,45 kg
HV 311 121	G 1/2"	3000 l/min	1 - 10 bar	32 N	0,66 kg

2.3.1.1.