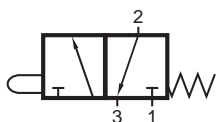


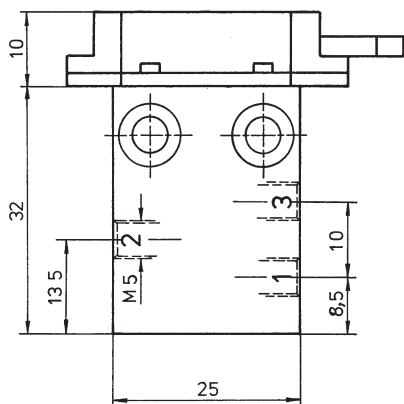
BA 311 201  
BA 311 301



BA 311 202



**BA 311 201**



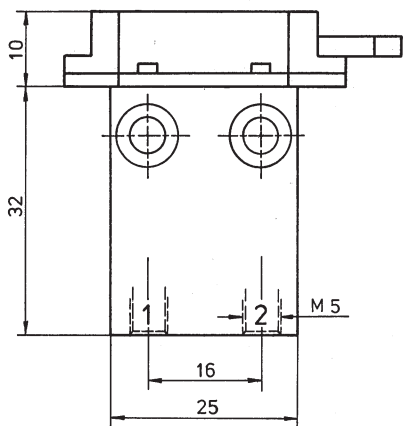
3/2-way spool valve with mechanical spring for panel mounting.

Valves with ports on the side (type 201 and 301) are similar to those described on page 2.1.1.1. and 2.1.1.3.

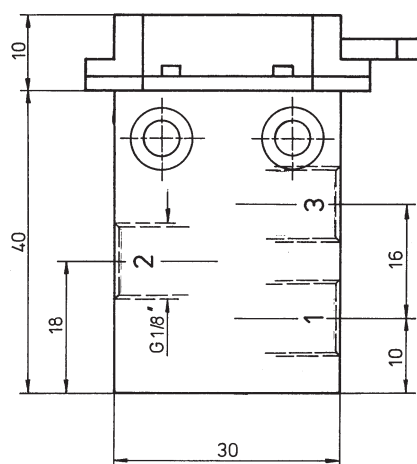
For the valve with the ports on the bottom (type 202), please refer to page 2.1.1.2.

The actuating elements are displayed on page 2.2.3.

**BA 311 202**



**BA 311 301**



Type	Port size	Air flow	Operating press.	Actuating force	Weight
BA 311 201	M 5	125 l/min	0 - 10 bar	14 N	0,043 kg
BA 311 202	M 5	125 l/min	0 - 10 bar	14 N	0,043 kg
BA 311 301	G 1/8"	280 l/min	0 - 10 bar	14 N	0,057 kg