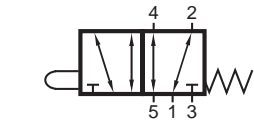
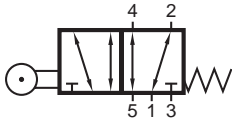


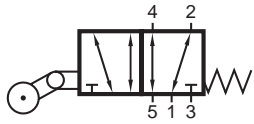
# BV/BR/BL 511 301



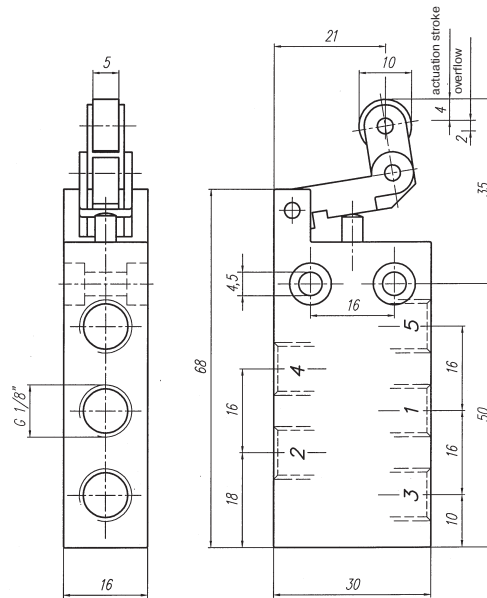
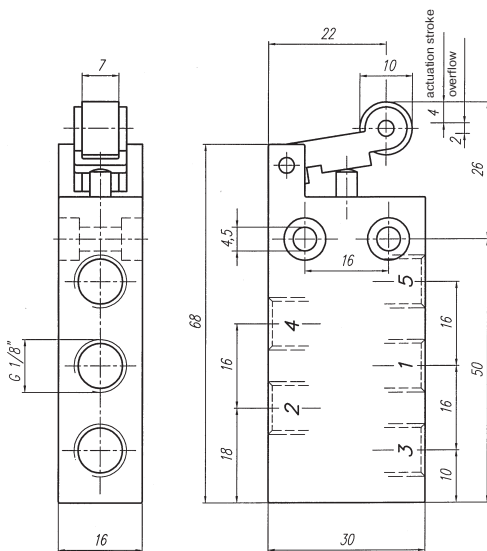
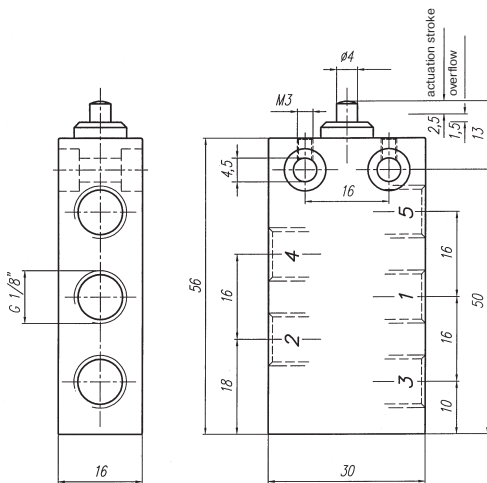
BV 511 301



BR 511 301



BL 511 301



Mechanically actuated 5/2-way spool valve with mechanical spring.

Normally open from 1 to 2 and from 4 to 5. Operated open from 1 to 4 and 2 to 3.

Exhaust can be throttled.

Type	Port size	Air flow	Operating press.	Actuating force	Weight
BV 511 301	G 1/8"	280 l/min	0 - 10 bar	14 N	0,065 kg
BR 511 301	G 1/8"	280 l/min	0 - 10 bar	10 N	0,074 kg
BL 511 301	G 1/8"	280 l/min	0 - 10 bar	10 N	0,077 kg

## 2.1.2.2.