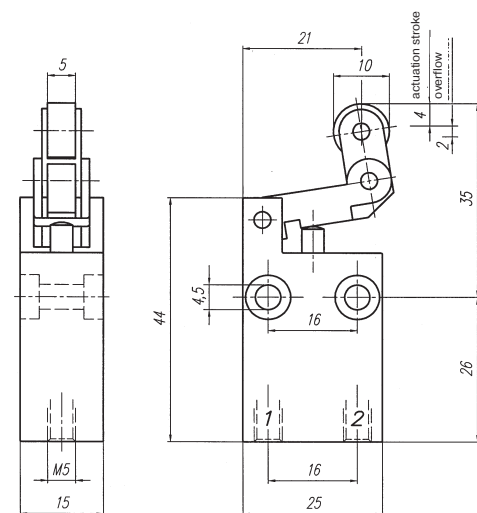
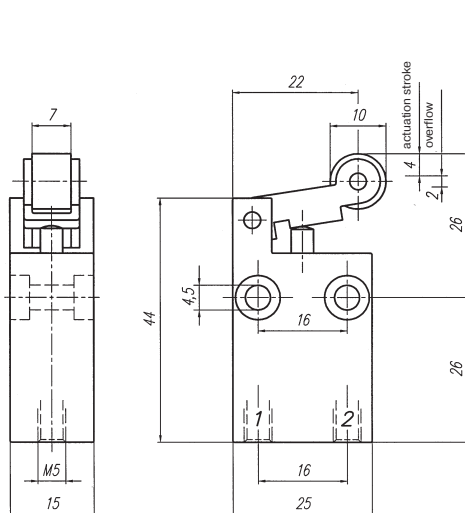
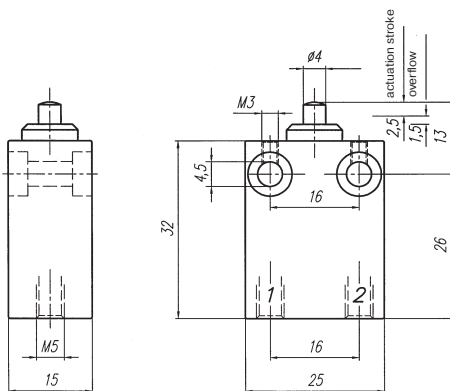


Mechanically actuated 3/2-way spool valve with mechanical spring.

All ports are at the bottom of the valve.

Normally closed; when operated, the valve opens from 1 to 2.

Exhaust through stem.



Type	Port size	Air flow	Operating press.	Actuating force	Weight
BV 311 202	M 5	115 l/min	0 - 10 bar	14 N	0,033 kg
BR 311 202	M 5	115 l/min	0 - 10 bar	9 N	0,041 kg
BL 311 202	M 5	115 l/min	0 - 10 bar	9 N	0,044 kg