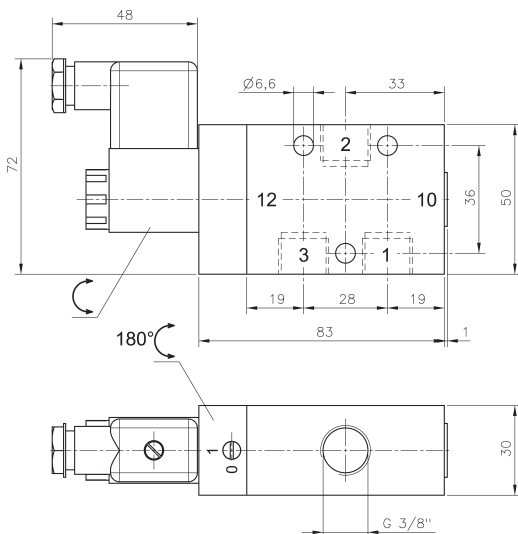
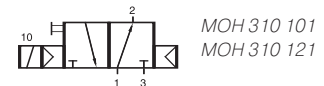
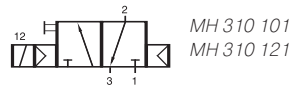
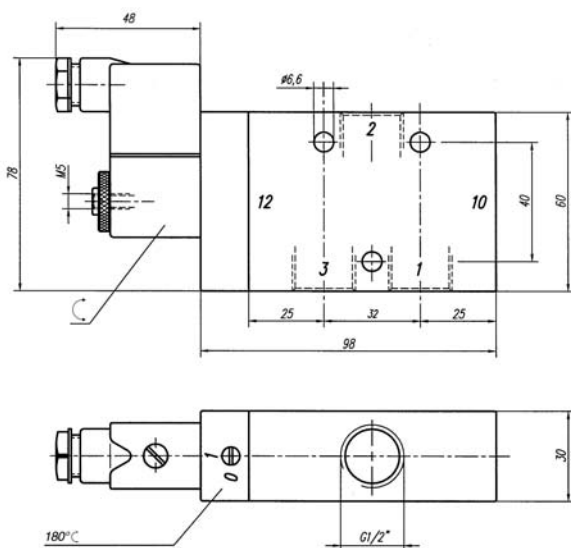


M(O)H 310 101/M(O)H 310 121



MH 310 101/MOH 310 101



MH 310 121/MOH 310 121



3/2-way solenoid valve normally closed (MH) or normally open (MOH) actuated by permanent signal and equipped with air spring return.

Please notice: Drawings are for MH-valves, for MOH-type ports 1 and 3 are swapped.

Available with solenoid operators:
230V/50Hz, 110V/50Hz, 24V/50Hz, 48V=,
24V=, 12V=.

Valves are generally equipped with manual override. If requested without manual override please order M 310 ___ / MO 310 ___.

The valves are also available with external pilot feed. If requested please order MEH 311 ___ or MEOH 311 ___ (add 3 digits for size). Valves with external pilot feed are equipped with a mechanical spring.

Connector as shown on the photo is included.

Also available in ATEX-approved EEx-versions EEx M and EEx i.A.. Please refer to page 2.9.2.

Type	Function	Port size	Air flow	Operating press.	Power consumption	Weight
MH 310 101	n.c.	G 3/8"	2250 l/min	1,5 - 10 bar	3 W = / 5 VA ~	0,42 kg
MH 310 121	n.c.	G 1/2"	3000 l/min	1 - 10 bar	3 W = / 5 VA ~	0,55 kg
MOH 310 101	n.o.	G 3/8"	2250 l/min	1,5 - 10 bar	3 W = / 5 VA ~	0,42 kg
MOH 310 121	n.o.	G 1/2"	3000 l/min	1 - 10 bar	3 W = / 5 VA ~	0,55 kg